

# KOHLER® Faucets

Touchless faucet w/Kinesis® sensor, Hybrid-powered  
**Loure®**  
**K-106L76-SANL**

## Features

- Kinesis® technology with concealed sensor allows for a clean aesthetic and provides extraordinarily accurate and reliable actuation in varying installation environments
- Below-counter valving reduces the faucet footprint and provides easier service
- Design-forward aesthetic for commercial bathroom spaces
- 0.5 gpm (1.9 lpm) maximum flow rate
- Powered by Kohler's Hybrid Energy System (HES), which provides maintenance-free power for up to 30 years (approx. 875,000 cycles)
- On-demand usage with 30-second max. continual run cycle to prevent vandalism and save water
- Vandal-resistant laminar outlet
- 18" (457 mm) stainless steel braided flexible supply hose for easy installation
- 3-7/8" (98 mm) spout reach
- Grid drain
- Concealed mechanical mixer sold separately
- Complies with the Safe Drinking Water Act (SDWA)
- Includes spout assembly, grid drain, control box assembly, supply hose, and standard mounting hardware

## Material

- Brass spout
- Cast brass valve

## Technology

- Kinesis® sensor technology offers on-demand detection for maximum water savings

## Installation

- Single-hole mounting
- Includes one hybrid cell

## Recommended Products/Accessories

- K-23726 Drain treatment
- K-23723 Faucet cleaner

## Optional Products/Accessories

- K-99799 Thermostatic Tempering Valve
- K-13478-A 4" escutcheon plate for Insight™ and Kinesis® faucet
- K-13478-B 4" escutcheon plate for Insight™ and Kinesis® faucet
- K-13479-A 8" escutcheon plate for Insight™ and Kinesis® faucet
- K-13479-B 8" escutcheon plate for Insight™ and Kinesis® faucet



**ADA** **CSA B651** **OBC**

## Codes/Standards

ASME A112.18.1/CSA B125.1  
NSF/ANSI/CAN 61  
NSF/ANSI/CAN 372  
All applicable US Federal and State material regulations  
DOE - Energy Policy Act 1992  
California Energy Commission (CEC)  
ADA  
ICC/ANSI A117.1  
CSA B651  
OBC  
IAPMO Certification

## KOHLER® One-Year Limited Warranty

See website for detailed warranty information.

## Available Colors/Finishes

*Color tiles intended for reference only.*

Color	Code	Description
	CP	Polished Chrome

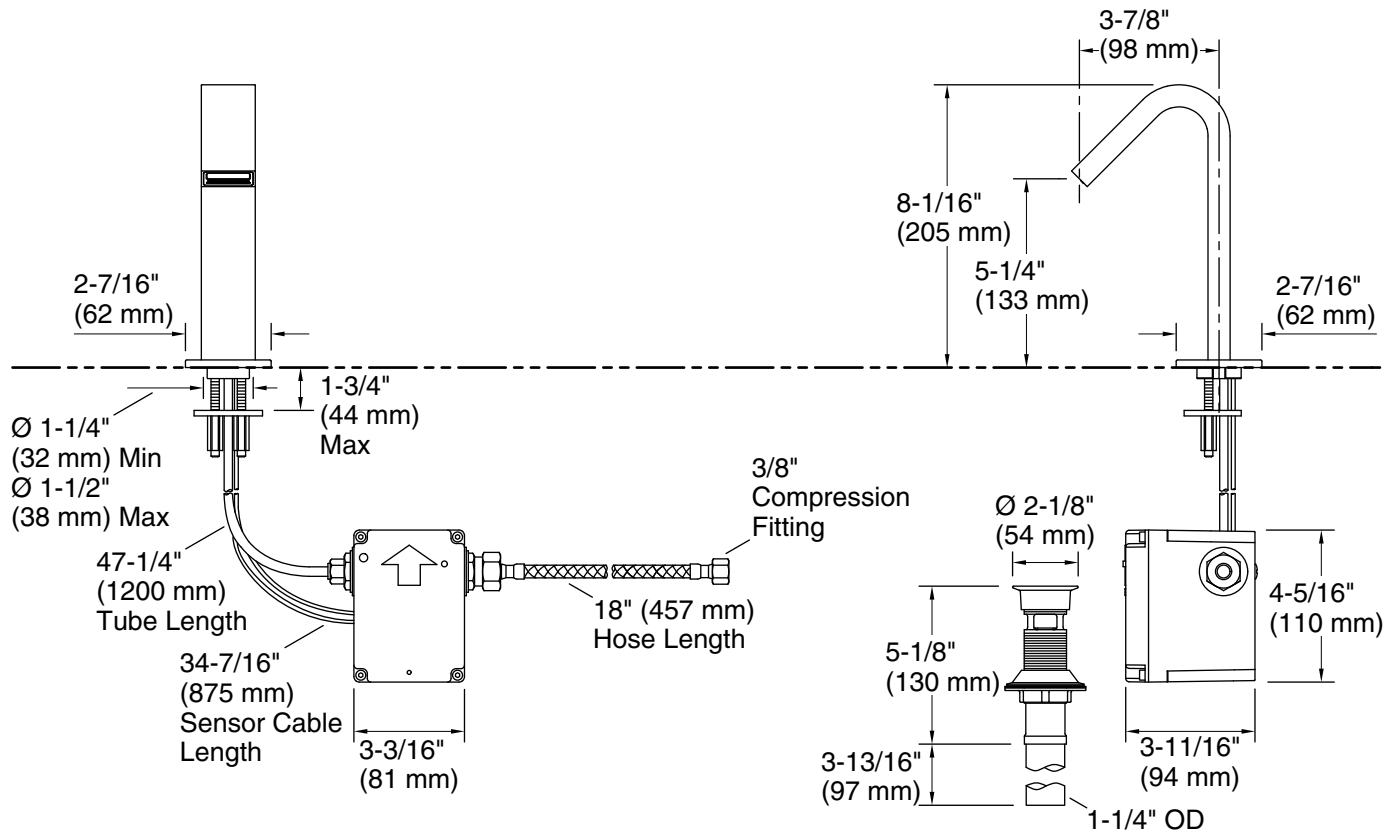
1-800-4KOHLER (1-800-456-4537)

Kohler Co. reserves the right to make revisions without notice to product specifications.

For the most current Specification Sheet, go to [www.kohler.com](http://www.kohler.com) USA or [www.kohler.ca](http://www.kohler.ca) Canada

2-25-2024 21:50 - US

THE BOLD LOOK  
OF **KOHLER®**



### Technical Information

All product dimensions are nominal.

Power source: Hybrid Energy Cell, included

#### Faucet:

Flow rate: 0.5 gal/min (1.9 l/min)

Pressure: 60 psi (4.1 bar)

Drain included: Yes

#### Spout:

Spout reach:  $3\text{-}7/8\text{'}$  (99 mm)

### Notes

Install this product according to the installation instructions.

A  $1\text{-}1/4\text{'}$  (32 mm) minimum to  $1\text{-}1/2\text{'}$  (38 mm) maximum diameter mounting hole is required.

The minimum distance between the back of the faucet spout and the wall must be  $1\text{-}3/4\text{'}$  (44 mm). This will allow proper clearance for setscrew access.

The maximum distance between the bathroom sink basin edge to the base of the faucet spout must be  $1\text{-}3/4\text{'}$  (44 mm).

ADA, OBC, CSA B651 compliant when installed to the specific requirements of these regulations.