

# KOHLER® Faucets

Two-handle centerset lavatory faucet, less drain, 0.35 gpm  
**K-15240-4ATA**

**Coralais®**

## Features

- 0.35 gpm (1.3 lpm) maximum flow rate at 60 psi (4.14 bar)
- Vandal-resistant aerator
- 4-7/16" (112 mm) spout reach
- Red/blue indexing on handles
- KOHLER® ceramic disc valves exceed industry longevity standards for a lifetime of durable performance
- Plug for lift rod hole
- Less drain and lift rod

## Material

- Premium metal construction for durability and reliability
- KOHLER® finishes resist corrosion and tarnishing

## Installation

- For 4" (102 mm) centers



**ADA** **CSA B651** **OBC**

## Codes/Standards

ASME A112.18.1/CSA B125.1

NSF/ANSI/CAN 372

All applicable US Federal and State material regulations

DOE - Energy Policy Act 1992

California Energy Commission (CEC)

ADA

ICC/ANSI A117.1

CSA B651

OBC

## KOHLER® One-Year Limited Warranty

See website for detailed warranty information.

## Available Colors/Finishes

*Color tiles intended for reference only.*

### Color Code Description

■ CP Polished Chrome

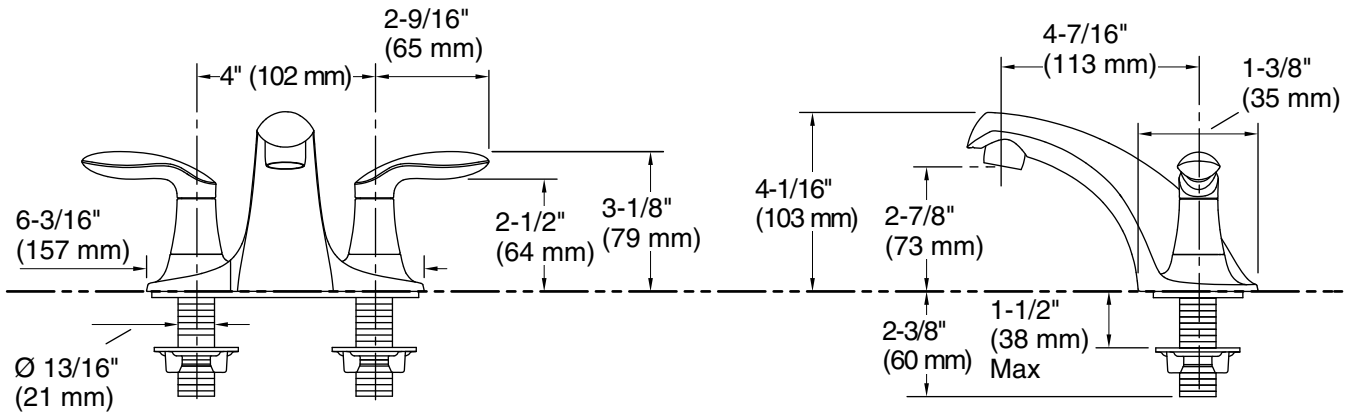
1-800-4KOHLER (1-800-456-4537)

Kohler Co. reserves the right to make revisions without notice to product specifications.

For the most current Specification Sheet, go to [www.kohler.com](http://www.kohler.com) USA or [www.kohler.ca](http://www.kohler.ca) Canada

3-7-2024 20:36 - US

THE BOLD LOOK  
OF **KOHLER®**



## Technical Information

All product dimensions are nominal.

### Faucet:

Flow rate: 0.35 gal/min (1.3 l/min)

Pressure: 60 psi (4.1 bar)

Drain included: No

Drain with overflow: No

### Spout:

Spout reach: 4-7/16" (113 mm)

## Notes

Install this product according to the installation instructions.

ADA, OBC, CSA B651 compliant when installed to the specific requirements of these regulations.