

Features

- 3-15/16" (100 mm) spout reach
- 0.5 gpm (1.9 lpm) maximum flow rate
- Water-saving vandal-resistant aerator
- Single lever handle allows for both on/off activation and temperature setting
- High-temperature limit setting for added safety
- KOHLER® ceramic disc valves exceed industry longevity standards for a lifetime of durable performance
- Less grid drain, lift rod, lift rod hole

Material

- Premium metal construction for durability and reliability
- KOHLER® finishes resist corrosion and tarnishing

Installation

- Single-hole installation (escutcheon plate sold separately)
- Preattached flexible supply lines simplify installation

Recommended Products/Accessories

- K-23726 Drain treatment
- K-23723 Faucet cleaner

Optional Products/Accessories

- 1394616 Single hole escutcheon kit



ADA

CSA B651

OBC

Codes/Standards

ASME A112.18.1/CSA B125.1
NSF/ANSI/CAN 61
NSF/ANSI/CAN 372
All applicable US Federal and State material regulations
DOE - Energy Policy Act 1992
California Energy Commission (CEC)
ADA
ICC/ANSI A117.1
CSA B651
OBC
IAPMO Certification

KOHLER® Faucet Lifetime Limited Warranty

See website for detailed warranty information.

Available Colors/Finishes

Color tiles intended for reference only.

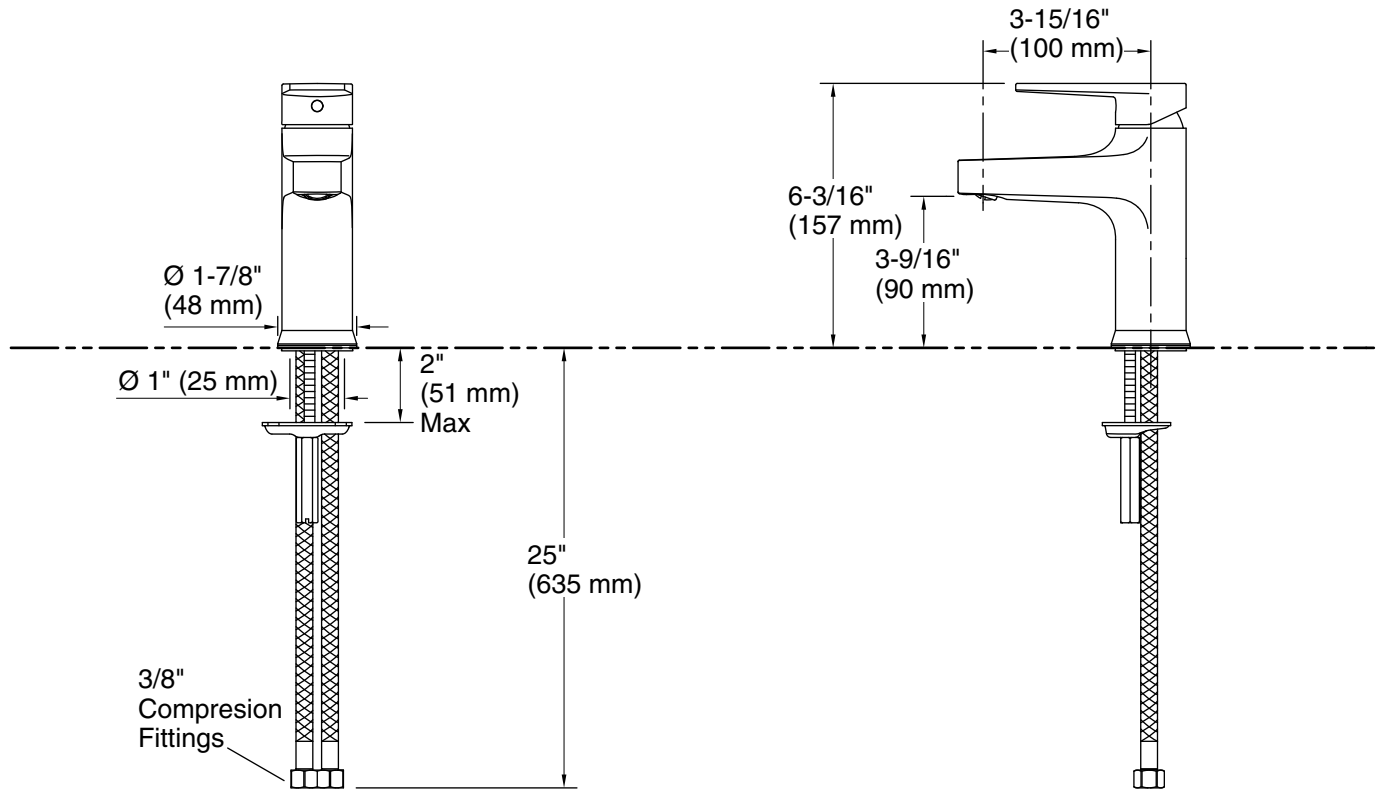
Color	Code	Description
-------	------	-------------



CP Polished Chrome



BN Vibrant® Brushed Nickel



Technical Information

All product dimensions are nominal.

Faucet:

Flow rate: 0.5 gal/min (1.9 l/min)

Pressure: 60 psi (4.1 bar)

Drain included: No

Spout:

Spout reach: $3\text{-}15/16\text{''}$ (100 mm)

Notes

Install this product according to the installation instructions.

ADA compliant for handles only.

ADA, OBC, CSA B651 compliant when installed to the specific requirements of these regulations.