

### Features

- Quarter-turn washerless ceramic disc valves
- Vandal resistant aerator.
- Vandal resistant lever handles with red and blue indexing
- 9-5/16" (237 mm) Gooseneck swing spout
- Less drain
- 1.5 gpm (5.7 lpm) maximum flow rate at 60 psi (4.14 bar)

### Material

- Brass
- Brass valve bodies

### Installation

- For 8" (203 mm) centers

### Recommended Products/Accessories

K-23723 Faucet cleaner



ADA CSA B651

### Codes/Standards

ASME A112.18.1/CSA B125.1

NSF/ANSI/CAN 61

NSF/ANSI/CAN 372

All applicable US Federal and State material regulations

DOE - Energy Policy Act 1992

California Energy Commission (CEC)

ADA

ICC/ANSI A117.1

CSA B651

IAPMO Certification

### KOHLER<sup>®</sup> One-Year Limited Warranty

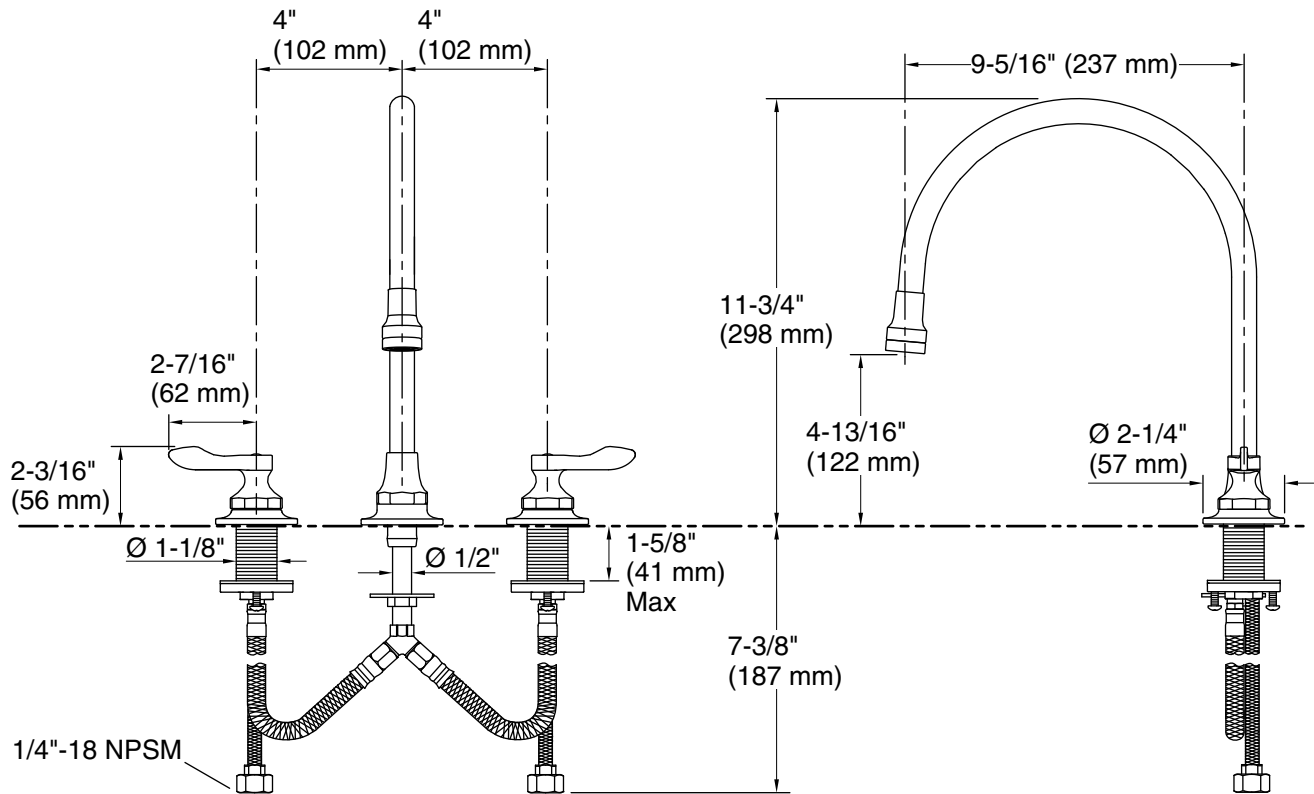
See website for detailed warranty information.

### Available Colors/Finishes

*Color tiles intended for reference only.*

Color	Code	Description
-------	------	-------------

	CP	Polished Chrome
---	----	-----------------



### Technical Information

All product dimensions are nominal.

Drain included: No

### Spout:

Spout reach: 9-5/16" (237 mm)

### Notes

Install this product according to the installation guide.

ADA, CSA B651 compliant when installed to the specific requirements of these regulations.