



Groove®

60" x 32" alcove shower base, left drain
K-9949

Features

- Low-threshold design for easy entry and exit
- Recessed left drain
- Single threshold for three-wall installation
- Requires K-9330 Groove aluminum drain cover or K-9334 Groove teak drain cover (sold separately)

Material

- Acrylic

Required Products/Accessories

K-9330 Drain Cover

Recommended Products/Accessories

K-9132 Shower Drain

K-23726 Drain treatment

K-23732 Tub & shower cleaner



Codes/Standards

CSA B45.5/IAPMO Z124

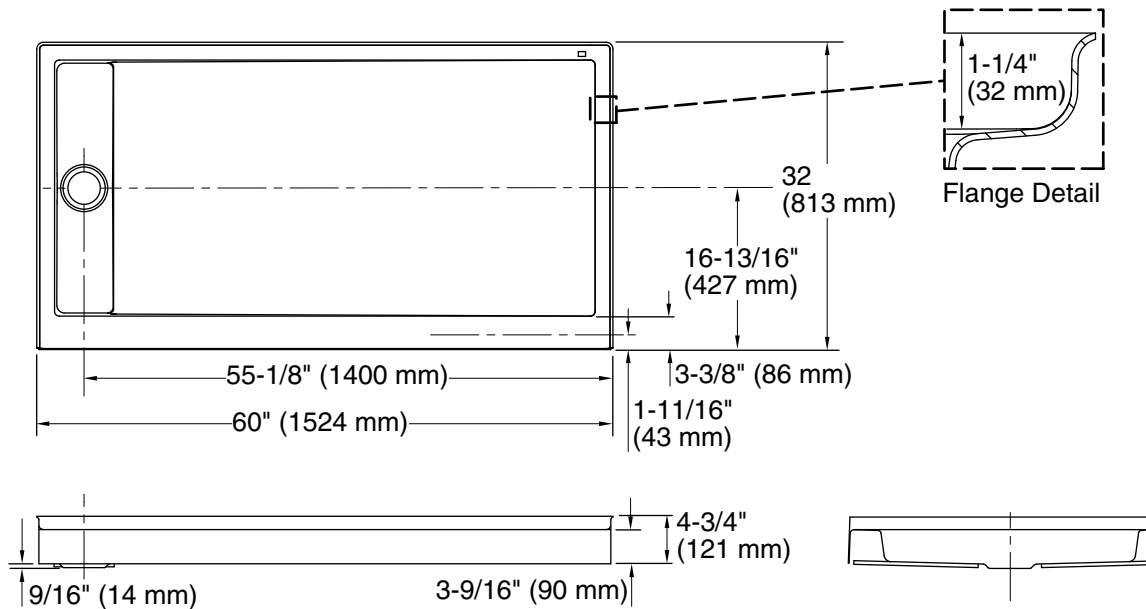
ASTM E162

ASTM E662

IAPMO Certification

**KOHLER® Plastic Baths and
Receptors Lifetime Limited Warranty**

See website for detailed warranty information.



Technical Information

All product dimensions are nominal.

Drain location: Left
 Weight: 65 lbs (29.5 kg)
 Minimum floor load: 20 lbs/ft² (97.6 kg/m²)
 Minimum flat for door: 2-1/2" (64 mm)

Notes

Measure your actual product for rough-in details.
 Install this product according to the installation instructions.
 Measure your actual product for roughing-in details.
 Shimming may be required to level the fixture.
 Shimming may be required between the stud frame and the fixture.
 The stud opening tolerance is +1/4" (6 mm), -0" (0 mm).