

### Features

- Low-threshold design for easy entry and exit
- Single threshold for alcove installation with integral tile-in flange
- Durable acrylic with resin concrete core construction
- Allows for quick and easy mortar-less installation

### Installation

- Center drain

### Recommended Products/Accessories

- K-9132 Shower Drain
- K-23726 Drain treatment
- K-23732 Tub & shower cleaner



### Codes/Standards

- CSA B45.5/IAPMO Z124
- ASTM E162
- ASTM E662
- IAPMO Certification


### KOHLER® Plastic Baths and Shower Bases Lifetime Limited Warranty

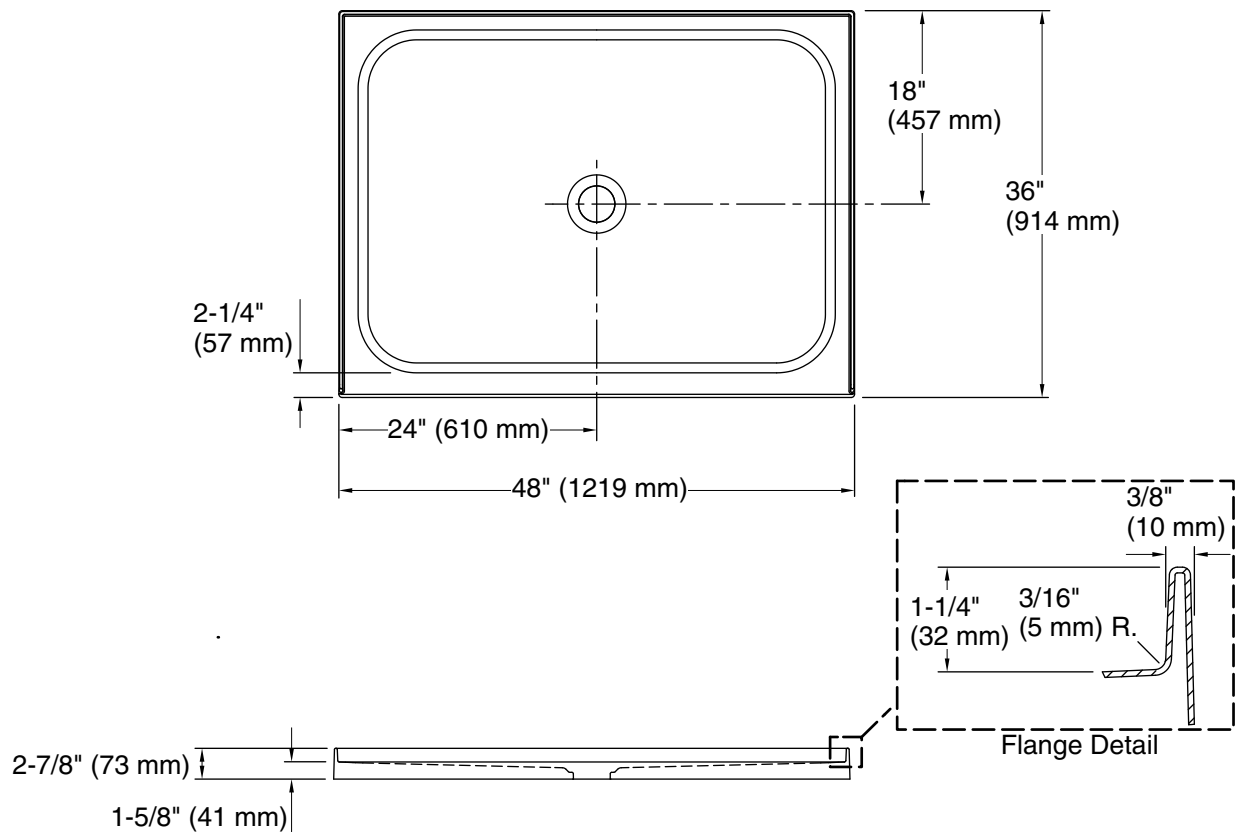
See website for detailed warranty information.

### Available Colors/Finishes

*Color tiles intended for reference only.*

Color	Code	Description
-------	------	-------------

	0	White
---	---	-------



## Technical Information

All product dimensions are nominal.

Drain location:	Center
Weight:	107 lbs (48.5 kg)
Minimum floor load:	12 lbs/ft <sup>2</sup> (58.6 kg/m <sup>2</sup> )
Minimum flat for door:	1-7/16" (36 mm)

## Notes

Measure your actual product for rough-in details.

Install this product according to the installation instructions.

**CAUTION:** Risk of property damage and personal injury. Using this product without a shower door may cause water damage and may create a wet and potentially dangerous environment.

A shower door with a bottom track is required for this receptor. Kohler Co. shall not be responsible for problems encountered due to the installation and use of other manufacturer's shower doors.

Refer to Kohler Fixtures Price Book for complete list of required shower doors for this product.