



**Mariposa®**  
72" x 36" alcove whirlpool bath with Bask® heated surface, left drain  
**K-1257-LW**

**Features**

- Bask® heated surface creates spa-like relaxation with soothing warmth on your back, shoulders, and neck
- Three heat settings allow you to customize the surface temperature
- Single-speed whirlpool offers performance and value, with 5 fully adjustable jets
- Hydromassage flow and direction can be controlled at each jet
- Spacious design accommodates up to two bathers
- Integral flange helps prevent water from seeping behind wall and simplifies alcove installation
- Textured bottom surface

**Material**

- Acrylic

**Hydrotherapy**

- Whirlpool

**Installation**

- Left drain
- Alcove

**Required Products/Accessories**

- K-T37391 Rotary-turn bath drain trim
- K-T37392 Rotary-turn bath drain trim

or

- K-37383 Rough-in cable bath drain, PVC, 30" cable with tubing
- K-78438 30" cable bath drain

**Recommended Products/Accessories**

- K-1491 Bath/Whirlpool Pillow
- K-9696 Whirlpool 6-Jet Trim Kit
- K-23726 Drain treatment
- K-23732 Tub & shower cleaner
- K-7265 Brass toe tap bath drain
- K-31796 Above-the-floor bath drain kit
- K-31798 Bath drain kit



**Codes/Standards**

- ASME A112.19.7/CSA B45.10
- CSA B45.5/IAPMO Z124
- ASTM E162
- ASTM E662
- UL 1795
- IAPMO Certification
- UL Listed



**KOHLER® Plastic Baths and Shower Bases Lifetime Limited Warranty**  
**KOHLER® Hydrotherapy Components Five-Year Limited Warranty**

See website for detailed warranty information.

**Available Colors/Finishes**

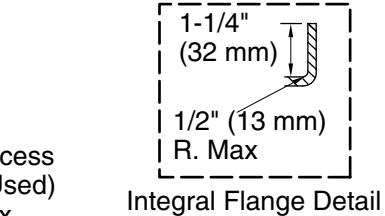
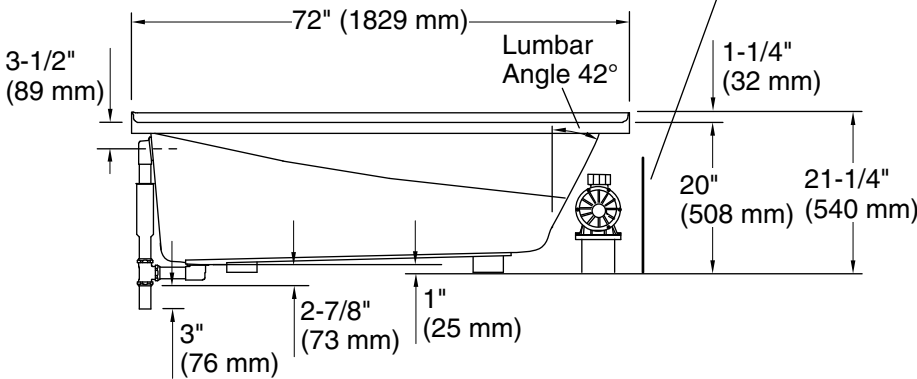
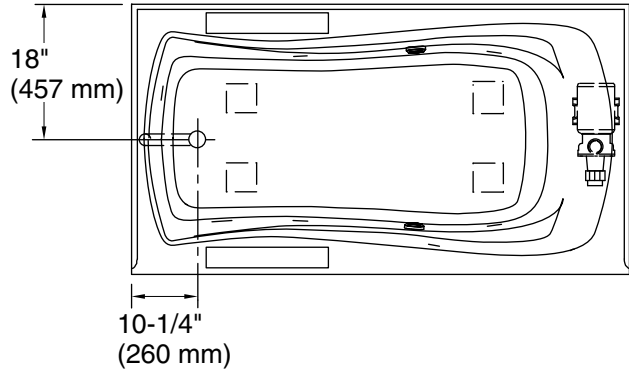
*Color tiles intended for reference only.*

**Color Code Description**

	0	White
	96	Biscuit



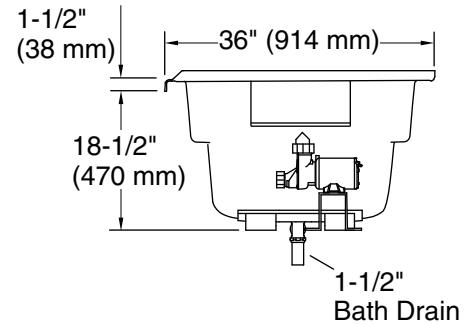
**Mariposa®**  
 72" x 36" alcove whirlpool bath with Bask® heated surface, left drain  
**K-1257-LW**



No change in measurements if connected with drain illustrated. (K-7166-AF)

Recommended Faucet Location

Pump/Control Access  
 (If Apron Is Not Used)  
 30" (762 mm) W x  
 15" (381 mm) H



**Required Electrical Service**

One dedicated circuit required, protected with Class A Ground-Fault Circuit-Interrupter (GFCI). Outside North America, this device may be known as a Residual Current Device (RCD).

Pump, Heated Surface: 120 V, 15 A, 60 Hz

**Technical Information**

All product dimensions are nominal.

- Drain location: Left
- Basin area, bottom: 50" x 24" (1270 mm x 610 mm)
- Basin area, top: 65" x 27" (1651 mm x 686 mm)
- Weight: 116 lbs (52.6 kg)
- Minimum floor load: 41 lbs/ft<sup>2</sup> (200.2 kg/m<sup>2</sup>)
- Water depth: 14" (356 mm)
- Water capacity: 72 gal (272.5 L)
- Electrical component rating: Pump: 120 V, 7 A, 60 Hz  
Heated Surface: 120 V, 0.5 A, 60 Hz, 65 W
- Pump speed: Single

**Notes**

- Measure your actual product for rough-in details.
- Install this product according to the installation instructions.
- The hot water supply should be 70% of the capacity of the bath or greater. Installations will vary.
- If installing a rim-mount faucet, make sure there is no interference above or below the deck before drilling any holes.