

### Features

- Bask® heated surface creates spa-like relaxation with soothing warmth on your back, shoulders, and neck
- Three heat settings allow you to customize the surface temperature
- Single-speed whirlpool offers performance and value, with 5 fully adjustable jets
- Hydromassage flow and direction can be controlled at each jet
- Hourglass shape adds style and elegance to your bathroom
- Integral flange helps prevent water from seeping behind wall and simplifies alcove installation
- Textured bottom surface

### Material

- Acrylic

### Hydrotherapy

- Whirlpool

### Installation

- Right drain
- Alcove

### Required Products/Accessories

K-T37391 Rotary-turn bath drain trim  
K-T37392 Rotary-turn bath drain trim

or

K-37383 Rough-in cable bath drain, PVC, 30" cable with tubing  
K-78438 30" cable bath drain

or

K-37385 rough-in cable drain, PVC, 45" cable  
K-78439 45" cable bath drain

### Recommended Products/Accessories

K-9695 5-Jet Trim Kit  
K-23726 Drain treatment  
K-23732 Tub & shower cleaner  
K-31796 Above-the-floor bath drain kit  
K-31798 Bath drain kit



### Codes/Standards

ASME A112.19.7/CSA B45.10  
CSA B45.5/IAPMO Z124  
ASTM E162  
ASTM E662  
UL 1795  
IAPMO Certification  
UL Listed

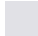

### KOHLER® Plastic Baths and Shower Bases Lifetime Limited Warranty KOHLER® Hydrotherapy Components Five-Year Limited Warranty

See website for detailed warranty information.

### Available Colors/Finishes

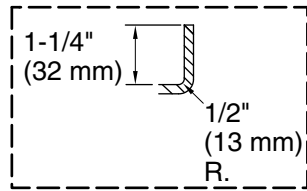
*Color tiles intended for reference only.*

Color	Code	Description
-------	------	-------------

	0	White
	96	Biscuit

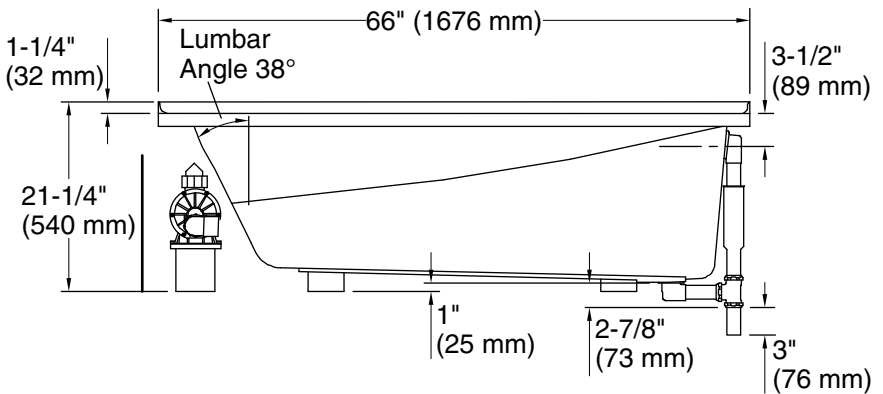
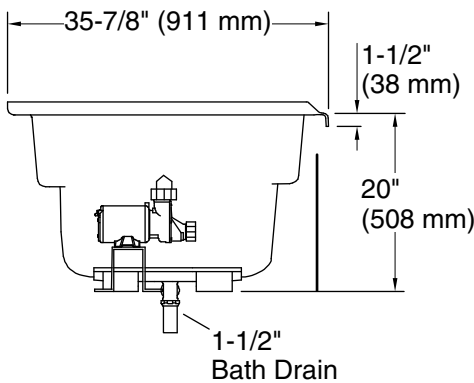
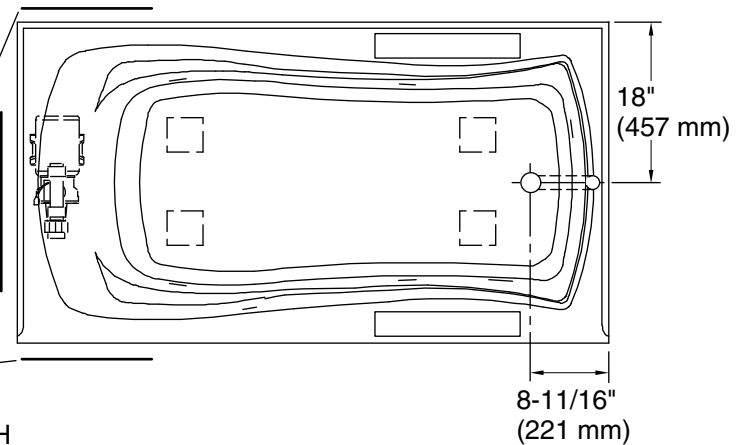
No change in measurements if connected with drain illustrated. (K-7161-AF)

□ Recommended Faucet Location



Integral Flange Detail

Pump/Control Access  
(if apron is not used)  
30" (762 mm) W x 15" (381 mm) H



### Required Electrical Service

One dedicated circuit required, protected with Class A Ground-Fault Circuit-Interrupter (GFCI). Outside North America, this device may be known as a Residual Current Device (RCD).

Pump, Heated 120 V, 15 A, 60 Hz

Surface:

### Technical Information

All product dimensions are nominal.

Drain location: Right

Basin area, bottom: 48" x 24" (1219 mm x 610 mm)

Basin area, top: 59" x 30" (1499 mm x 762 mm)

Weight: 116 lbs (52.6 kg)

Minimum floor load: 48 lbs/ft<sup>2</sup> (234.4 kg/m<sup>2</sup>)

Water depth: 14" (356 mm)

Water capacity: 67 gal (253.6 L)

Electrical component rating: Pump: 120 V, 7.5 A, 60 Hz  
Heated Surface: 120 V, 1.1 A, 60 Hz, 65 W

Pump speed: Single

Minimum flat for 1-15/16" (40 mm)

1-800-4KOHLER (1-800-456-4537)

Kohler Co. reserves the right to make revisions without notice to product specifications.

For the most current Specification Sheet, go to [www.kohler.com](http://www.kohler.com) USA or [www.kohler.ca](http://www.kohler.ca) Canada

2-28-2024 22:39 - US

### Notes

Measure your actual product for rough-in details.

Install this product according to the installation instructions.

The hot water supply should be 70% of the capacity of the bath or greater. Installations will vary.

If installing a rim-mount faucet, make sure there is no interference above or below the deck before drilling any holes.