

## Features

- Internal LED light guides provide optimally bright bathroom vanity lighting for grooming tasks
- Brightness at 2200 lumens ensures consistent lighting with no hot spots or dark spots. Produces 65 lumens per watt
- Approx. 3000 Kelvin light appearance delivers a neutral light ideal for overall bathroom aesthetics as well as tasks
- Minimum 90 CRI (color rendering index) lets you see yourself in the truest light for makeup application, grooming, and skin care
- Integrated LED bulbs have an estimated life expectancy of 59,000 hours
- Compatible with wall-mount LED dimmers (not included), which allow you to control lighting from multiple locations in the space
- Pivoting side panels allow you to direct light for specific tasks

## Material

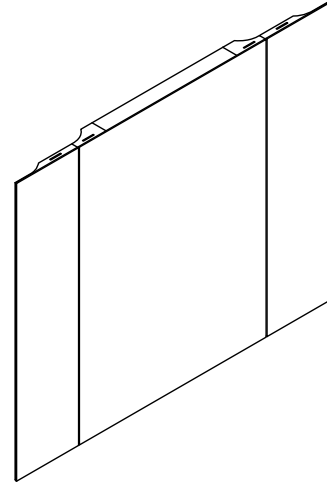
- Anodized aluminum construction with a durable rustproof and chip-resistant finish

## Installation

- Includes mounting hardware for surface installation
- Hang-and-secure mounting system for easier surface-mount installation
- Recommend professional electrician installation

## Recommended Products/Accessories

K-23723 Faucet cleaner

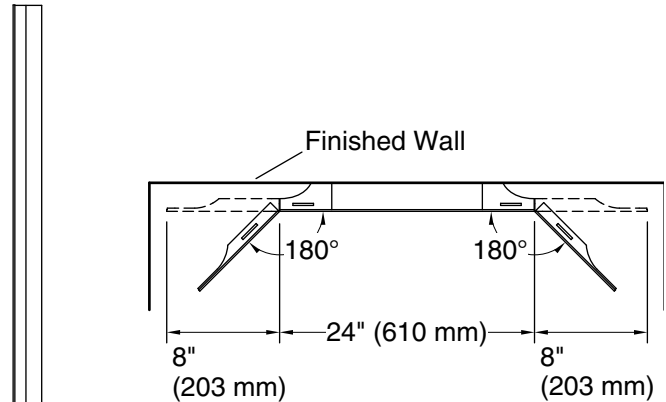
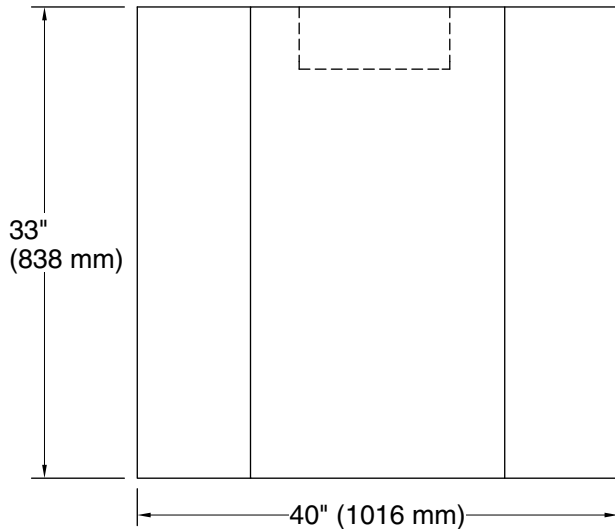
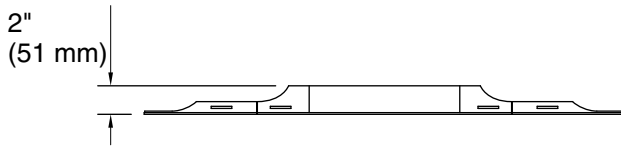


## Codes/Standards

UL 962  
C22.2 No. 0  
CA Title 24 JA8  
cUL Listed  
UL Listed

## KOHLER® One-Year Limited Warranty

See website for detailed warranty information.



## Required Electrical Service

One circuit required, protected with Class A Ground-Fault Circuit-Interrupter (GFCI). Outside North America, this device may be known as a Residual Current Device (RCD).

Lights: 120 V, 15 A, 60 Hz

## Technical Information

All product dimensions are nominal.

Mirror type: Wall-mount pivot

Electrical component Lights: 120 V, 0.8 A, 60 Hz rating:

## Notes

Install this product according to the installation instructions.

Select the type of fastener based on the wall material. A minimum 20 lb (9.07 kg) load bearing fastener is recommended.

Install the fastener to a stud to avoid possible property and product damage.

A dimmer switch is required. This product is compatible with most residential dimmer switches intended for incandescent and dimmable LED bulbs.