

Features

- Exposed roller design allows for effortless opening and closing of the sliding panel
- Frameless design for an open, airy look
- Back-to-back 16-7/16" (418 mm) vertical handles
- CleanCoat®+ glass coating creates a hydrophobic barrier that repels water, soap scum, and residue, saving time and protecting shower doors 10 times longer than original CleanCoat. (Based on 2021 internal wear/abrasion testing using a microfiber cloth.)
- Available in select finishes to match Artifacts faucets and accessories
- Coordinates with other products in the Artifacts collection

Material

- Frameless, heavy 3/8" (10 mm) thick Crystal Clear tempered glass door and in-line panel
- Premium construction for durability and reliability
- KOHLER® finishes resist corrosion and tarnishing

Installation

- 80-7/8" (2054 mm) high, with a lofty 76-7/8" (1953 mm) minimum head clearance
- Fits opening widths 57-1/4" – 58-1/4" (1454 – 1480 mm)
- 1" (25.4 mm) width adjustment
- Out-of-plumb adjustability simplifies installation
- Door can be installed to open to the left or right to suit your bathroom layout
- For residential use only
- Not for use with cast iron shower bases



Codes/Standards

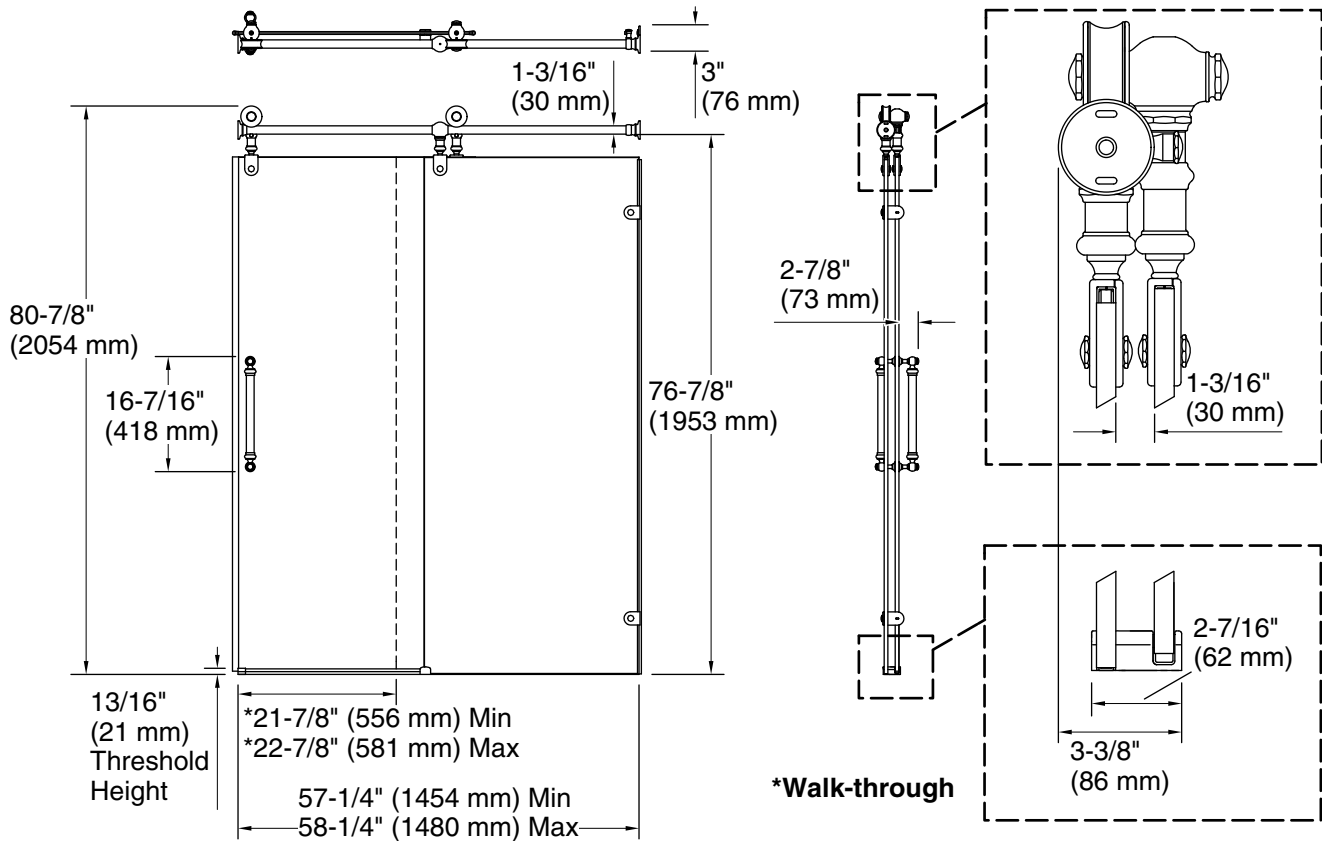
ANSI Z97.1
CAN/CGSB-12.1
CPSC 16CFR 1201

KOHLER® Bath and Shower Doors Ten-Year Limited Warranty

See website for detailed warranty information.

Available Glass Options

Code	Description
L	Crystal Clear



Technical Information

All product dimensions are nominal.

Shower Ledge Min 2-7/16" (62 mm)

Flat:

Shower Wall Min 3-5/16" (84 mm)

Flat:

Wall Studs Required Yes

for Door:

Notes

Install this product according to the installation guide.

The vertical opening should be a minimum of 83" (2108 mm) to allow for installation clearance.