



Verdera®

40" x 30" three-door medicine cabinet
K-99010

Features

- Nine adjustable tempered-glass shelves
- Triple doors with full-overlay mirrors
- Two-way adjustable hinges with 110° opening capability for easy cabinet access

Material

- Anodized aluminum construction with a durable rustproof and chip-resistant finish

Installation

- Can be installed with left- or right-hand swing
- Includes mounting hardware for surface or recessed installation

Required Products/Accessories

K-99012 30" mirrored side kit for medicine cabinet

Recommended Products/Accessories

K-23723 Faucet cleaner



Codes/Standards

None Applicable

KOHLER® One-Year Limited Warranty

See website for detailed warranty information.

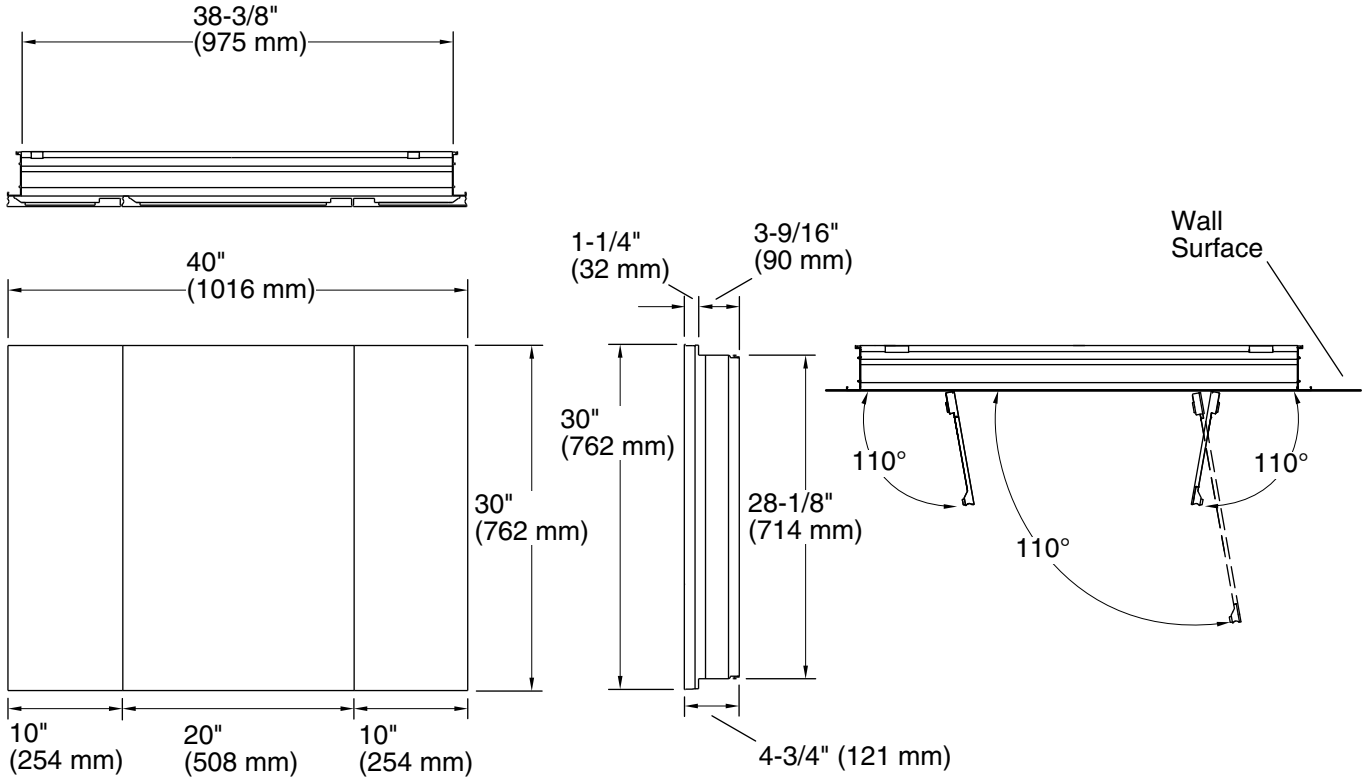
1-800-4KOHLER (1-800-456-4537)

Kohler Co. reserves the right to make revisions without notice to product specifications.

For the most current Specification Sheet, go to www.kohler.com USA or www.kohler.ca Canada

3-7-2024 20:19 - US

THE BOLD LOOK
OF **KOHLER®**



Technical Information

All product dimensions are nominal.

Notes

Install this product according to the installation instructions.

Install the cabinet a minimum of 3" (76 mm) above any obstructions (such as a faucet).

For surface-mount, use anchors (not provided) rated for the loaded weight of this product.

This cabinet is designed for either right or left door swing. Check for obstructions.