



**Collage™**  
12" x 32" medicine cabinet with showcase glass, left-  
hinged  
**K-33695-L**

**Features**

- Framed tinted glass showcase door and interior cabinet lighting artfully displays your perfume and skincare products
- Two adjustable tempered-glass shelves offer additional bathroom storage
- Mirrored interior cabinet back wall
- Three-way adjustable slow-close hinges with 95° opening capability for easy cabinet access
- Convenient tip-out drawer for storing smaller, frequently used items

**Material**

- Premium metal and glass construction

**Installation**

- Left-hand swing
- Surface-mount or recessed
- Includes mounting hardware for surface or recessed installation

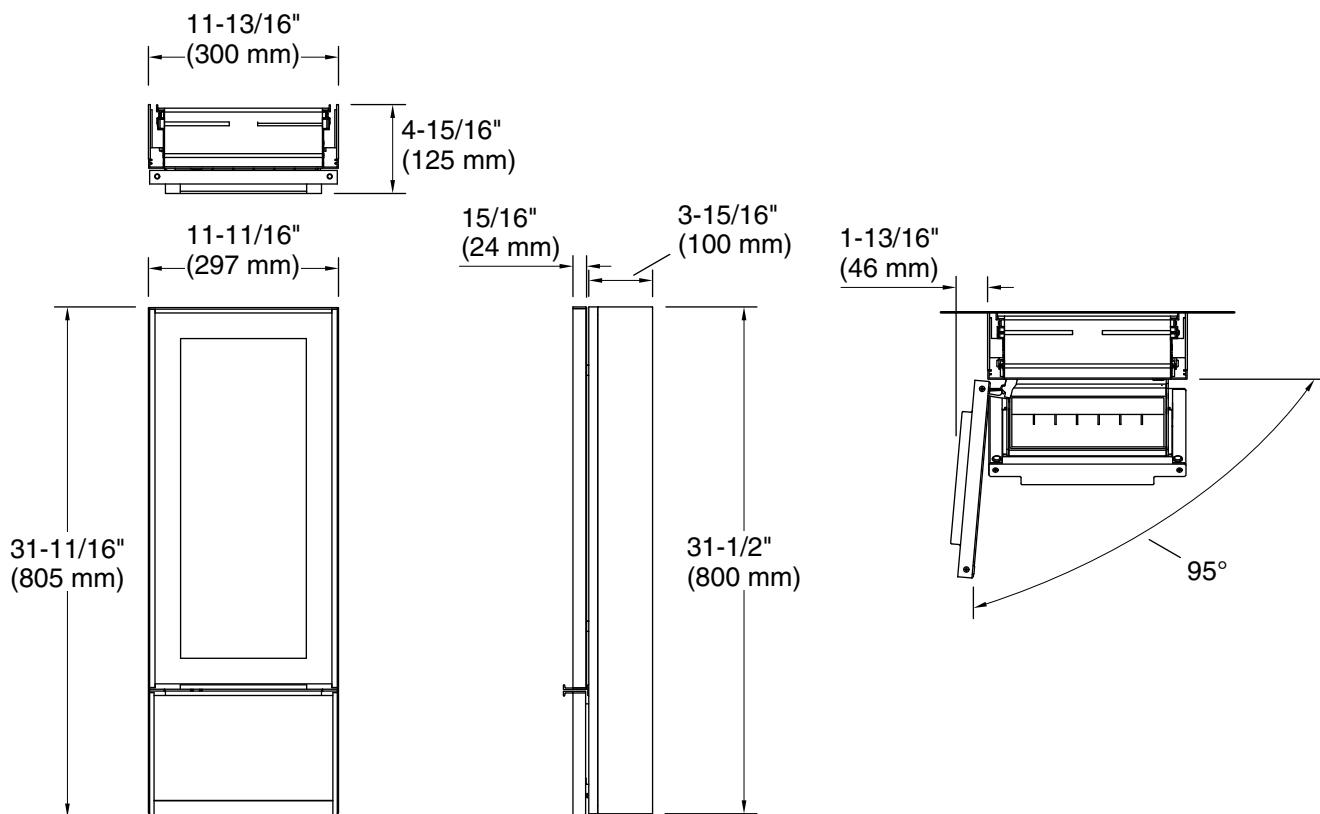


**Codes/Standards**

EPA TSCA Title VI/CARB P2

**KOHLER® One-Year Limited  
Warranty**

See website for detailed warranty information.



### Required Electrical Service

One circuit required, protected with Class A Ground-Fault Circuit-Interrupter (GFCI). Outside North America, this device may be known as a Residual Current Device (RCD).

Lights: 120 V, 0.35 A, 60 Hz

### Technical Information

All product dimensions are nominal.

Lighting included: Yes

Electrical component rating: LED: 0.75 A, 18 W

### Notes

Install this product according to the installation instructions.

Cutout for recess-mount installation:  
11-5/16" (287 mm) width 30-3/4" (781 mm) height 4" (102 mm) depth.

**IMPORTANT!** For recess mounting, the wall cavity must be framed and cabinet secured to framing studs. Reroute any electrical wires or water supply piping from the wall cavity. If you encounter drain or vent piping, or if your wall is load-bearing, consult a professional before proceeding.

**CAUTION:** Risk of property damage. For surface mounting, use anchors (not provided) rated for the loaded weight of this product. Refer to the anchor manufacturer's instructions.

When determining the height of the medicine cabinet, ensure the mirrored door will clear all obstacles (such as a faucet). A minimum distance of 3" (76 mm) is required.