

## Features

- Freestanding design creates a striking focal point in your bathing area
- Integral lumbar support on both ends
- Safeguard® slip-resistant surface provides excellent traction underfoot
- Slotted overflow allows for deep soaking
- Integral lumbar support
- Coordinates with other products in the Rêve collection

## Material

- KOHLER® enameled cast iron
- Painted exterior surface smoothness can vary from product to product
- Wood composite pedestal base with Brilliant Ash painted finish

## Installation

- Center drain
- Freestanding

## Required Products/Accessories

K-7271 Brass Slotted Overflow Bath Drain

or

K-7272 PVC Slotted Overflow Bath Drain

## Recommended Products/Accessories

K-1491 Bath/Whirlpool Pillow

K-1601 Bath/whirlpool footstop, removable

K-23726 Drain treatment

K-23725 Cast iron cleaner

K-31795 Slotted overflow above-the-floor bath drain kit

K-31797 Slotted overflow bath drain kit



## Codes/Standards

ASME A112.19.1/CSA B45.2

ASTM F462

IAPMO Certification

## KOHLER® Enameled Cast Iron Bath and Shower Base Lifetime Limited Warranty

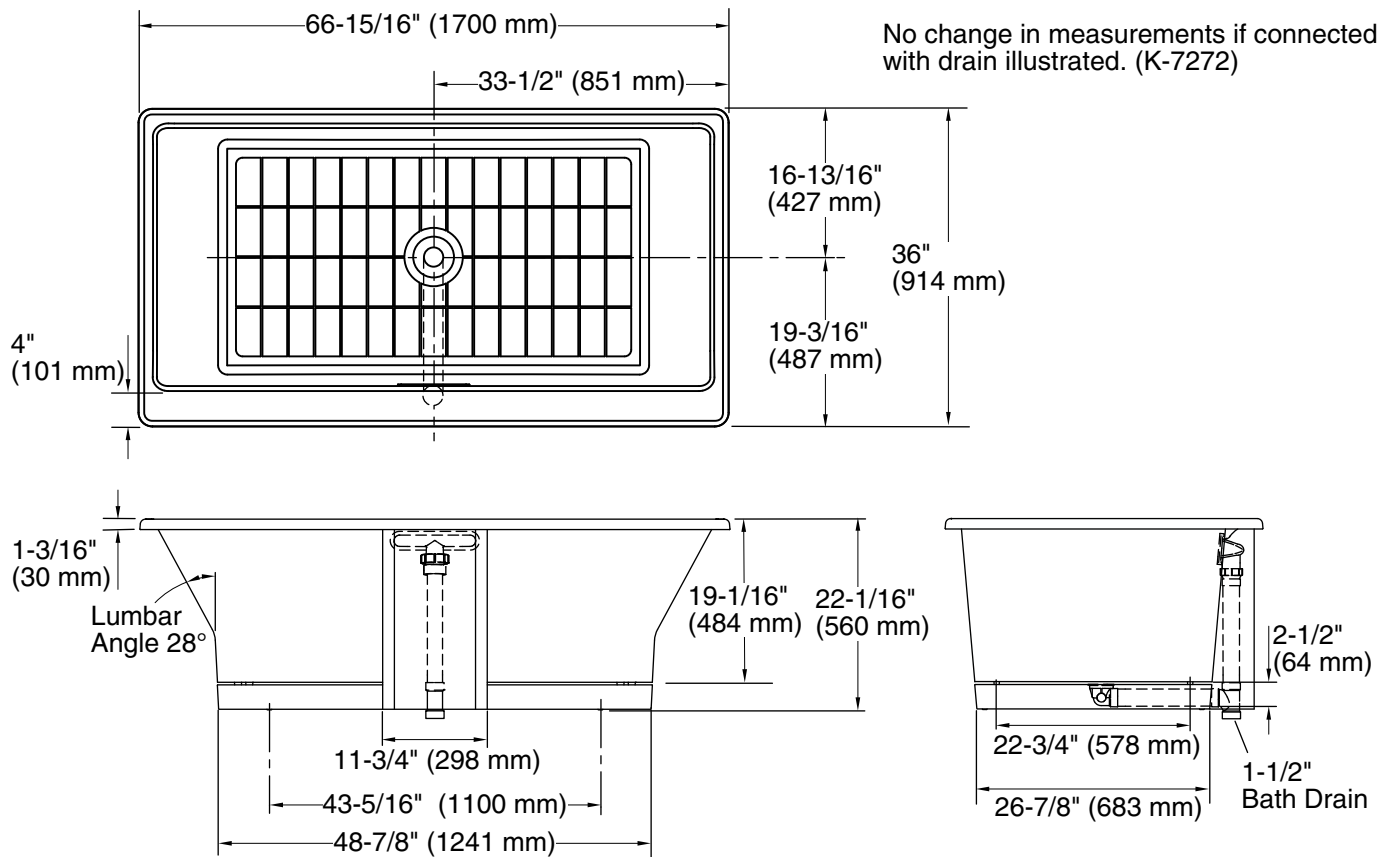
See website for detailed warranty information.

## Available Colors/Finishes

*Color tiles intended for reference only.*

| Color | Code | Description |
|-------|------|-------------|
|-------|------|-------------|

|   |   |       |
|---|---|-------|
|  | 0 | White |
|---|---|-------|



## Technical Information

All product dimensions are nominal.

|                     |   |
|---------------------|---|
| Drain location:     | Center  |
| Basin area, bottom: | 49" x 26-1/2" (1245 mm x 673 mm)                  |
| Basin area, top:    | 62-1/2" x 29-1/4" (1588 mm x 743 mm)              |
| Weight:             | 435 lbs (197.3 kg)                                |
| Minimum floor load: | 73 lbs/ft <sup>2</sup> (356.4 kg/m <sup>2</sup> ) |
| Water depth:        | 15-1/4" (387 mm)                                  |
| Water capacity:     | 90 gal (340.7 L)                                  |

## Notes

Measure your actual product for rough-in details.

Install this product according to the installation instructions.

The hot water supply should be 70% of the capacity of the bath or greater. Installations will vary.