

Features

- Freestanding design creates a striking focal point in your bathing area
- Oval basin creates a spacious bathing experience
- Integral lumbar support on both ends
- 16" (406 mm) depth offers a deep soaking experience
- Wide deck along one side simplifies installation and provides support for getting in and out of bath
- Straight shroud
- Textured bottom surface

Material

- Acrylic

Installation

- Center drain
- Freestanding

Required Products/Accessories

K-T37391 Rotary-turn bath drain trim
K-T37392 Rotary-turn bath drain trim

or

K-78438 30" cable bath drain

Recommended Products/Accessories

K-7265 Brass toe tap bath drain
K-T37393 Traditional rotary-turn bath drain trim
K-T37395 Bath drain trim
K-T37396 Traditional push-button bath drain trim
K-23726 Drain treatment
K-23732 Tub & shower cleaner



Codes/Standards

CSA B45.5/IAPMO Z124
ASTM E162
ASTM E662
IAPMO Certification

KOHLER® One-Year Limited Warranty

See website for detailed warranty information.

Available Colors/Finishes

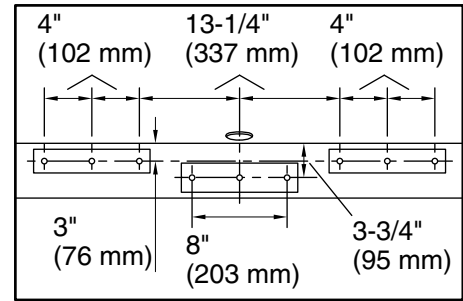
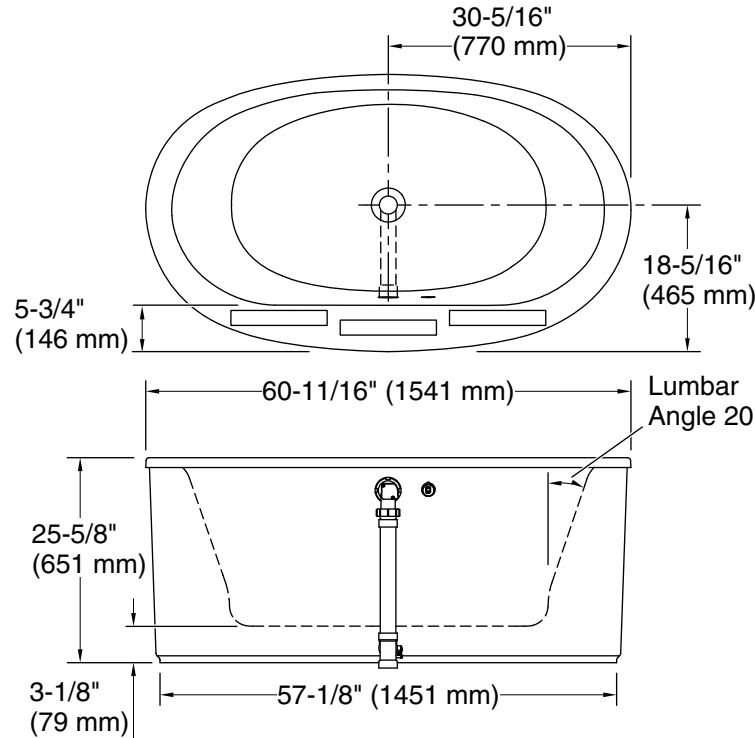
Color tiles intended for reference only.

Color	Code	Description
-------	------	-------------

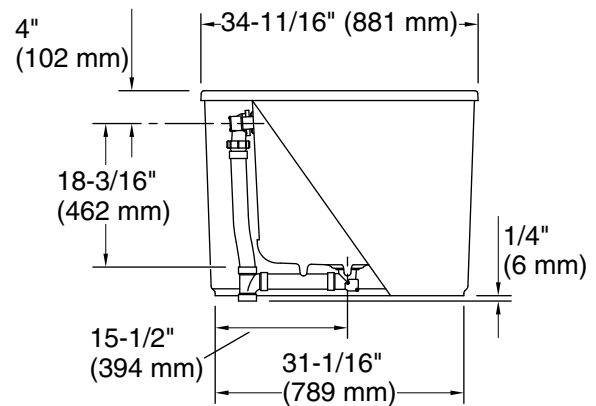
	0	White
---	---	-------

No change in measurements if connected with drain illustrated. (K-37386)

☐ Recommended Faucet Location



Recommended Faucet Hole Location



Technical Information

All product dimensions are nominal.

Drain location:	Center
Basin area, bottom:	39-5/8" x 23-5/8" (1006 mm x 599 mm)
Basin area, top:	49-9/16" x 25-1/2" (1259 mm x 648 mm)
Weight:	120 lbs (54.4 kg)
Minimum floor load:	49.8 lbs/ft ² (243.1 kg/m ²)
Water depth:	16" (406 mm)
Water capacity:	60 gal (227.1 L)
Template:	Footprint, 1364287, not required, not included

Notes

Measure your actual product for rough-in details.

Install this product according to the installation instructions.

The hot water supply should be 70% of the capacity of the bath or greater. Installations will vary.