



Stargaze®

72" x 36" freestanding Heated BubbleMassage™ air bath with Bask® heated surface and fluted shroud
K-1959-GHW

Features

- Bask® heated surface creates spa-like relaxation with soothing warmth on your back, shoulders, and neck
- Three heat settings allow you to customize the surface temperature
- 118 to 122 airjets release thousands of heated bubbles that surround and support the body in a warm massage
- Automatic and manual purge cycles remove residual water from air channels after use
- Variable-speed blower lets you adjust massage intensity to 18 levels
- Freestanding design creates a striking focal point in your bathing area
- 16" (406 mm) depth offers a deep soaking experience
- Integral lumbar support on both ends
- Textured bottom surface
- Wide ledge on one side is ideal for deck-mount faucet and/or handshower
- Fluted shroud
- Built-in 600W BubbleMassage™ heater warms humidified air before it enters the bath
- Automatic and manual purge cycles remove residual water from air channels after use
- Built-in 60W electric heater included to keep bath surface warm

Material

- Acrylic

Technology

- Auto-shutoff timer on blower allows users to enjoy Heated BubbleMassage™ experience for 60 minutes before turning off
- User interface: two separate electronic keypad controls for Heated BubbleMassage™ and Bask®

Installation

- Center drain
- Freestanding
- PureFlo drains are not recommended for a deck-mount faucet installation
- Remote blower motor installation required (relocation kit is included)

Required Products/Accessories

- K-T37391 Rotary-turn bath drain trim
- K-T37392 Rotary-turn bath drain trim

or



Codes/Standards

- ASME A112.19.7/CSA B45.10
- CSA B45.5/IAPMO Z124
- ASTM E162
- ASTM E662
- UL 1795
- CSA C22.2 No. 218.2
- IAPMO Certification
- cUL Listed
- UL Listed

KOHLER® Plastic Baths and Shower Bases Lifetime Limited Warranty KOHLER® Hydrotherapy Components Five-Year Limited Warranty

See website for detailed warranty information.

Available Colors/Finishes

Color tiles intended for reference only.

Color Code Description

	0	White
-------------------------------------------------------------------------------------	---	-------

1-800-4KOHLER (1-800-456-4537)

Kohler Co. reserves the right to make revisions without notice to product specifications.

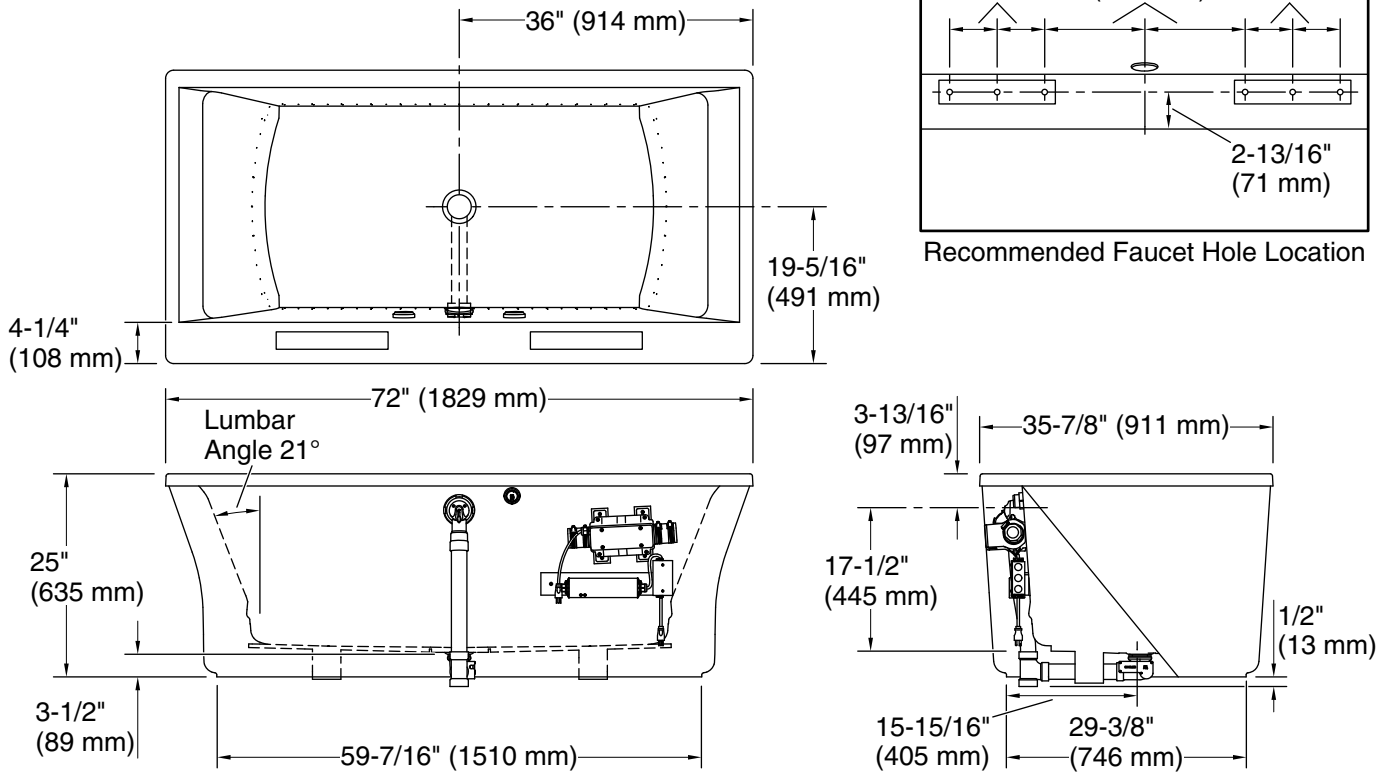
For the most current Specification Sheet, go to www.kohler.com USA or www.kohler.ca Canada

2-28-2024 21:05 - US



No change in measurements if connected with drain illustrated. (K-37386)

□ Recommended Faucet Location



Required Electrical Service

Two dedicated circuits required, protected with Class A Ground-Fault Circuit-Interrupter (GFCI). Outside North America, this device may be known as a Residual Current Device (RCD).

Blower, Heated 120 V, 15 A, 60 Hz

Surface:

Air bath: 120 V, 15 A, 60 Hz

Technical Information

All product dimensions are nominal.

Drain location: Center

Basin area, bottom: 50-3/4" x 24-7/8" (1289 mm x 632 mm)

Basin area, top: 67-1/2" x 29-3/16" (1715 mm x 741 mm)

Weight: 165 lbs (74.8 kg)

Minimum floor load: 48.8 lbs/ft² (238.3 kg/m²)

Water depth: 15-11/16" (399 mm)

Water capacity: 90 gal (340.7 L)

Template: Footprint, 1245665, not required, not included

Electrical component Blower: 120 V, 10 A, 60 Hz

rating: Heated Surface: 120 V, 0.5 A, 60 Hz

1-800-4KOHLER (1-800-456-4537)

Kohler Co. reserves the right to make revisions without notice to product specifications.

For the most current Specification Sheet, go to www.kohler.com USA or www.kohler.ca Canada

2-28-2024 21:05 - US

Notes

Measure your actual product for rough-in details.

Install this product according to the installation instructions.

The hot water supply should be 70% of the capacity of the bath or greater. Installations will vary.

This bath is designed for freestanding installation only.

If installing a rim-mount faucet, make sure there is no interference above or below the deck before drilling any holes.