

Features

- Freestanding design creates a striking focal point in your bathing area
- 16" (406 mm) soaking depth
- Integral lumbar support
- Slotted overflow allows for deep soaking
- Center toe-tap drain with KOHLER Lithocast® cover
- Coordinates with other products in the Veil collection

Material

- KOHLER Lithocast® Gloss cast resin

Installation

- Freestanding

Recommended Products/Accessories

K-23726 Drain treatment

K-23732 Tub & shower cleaner



Codes/Standards

CSA B45.5/IAPMO Z124

IAPMO Certification


KOHLER® Plastic Baths and Shower Bases Lifetime Limited Warranty

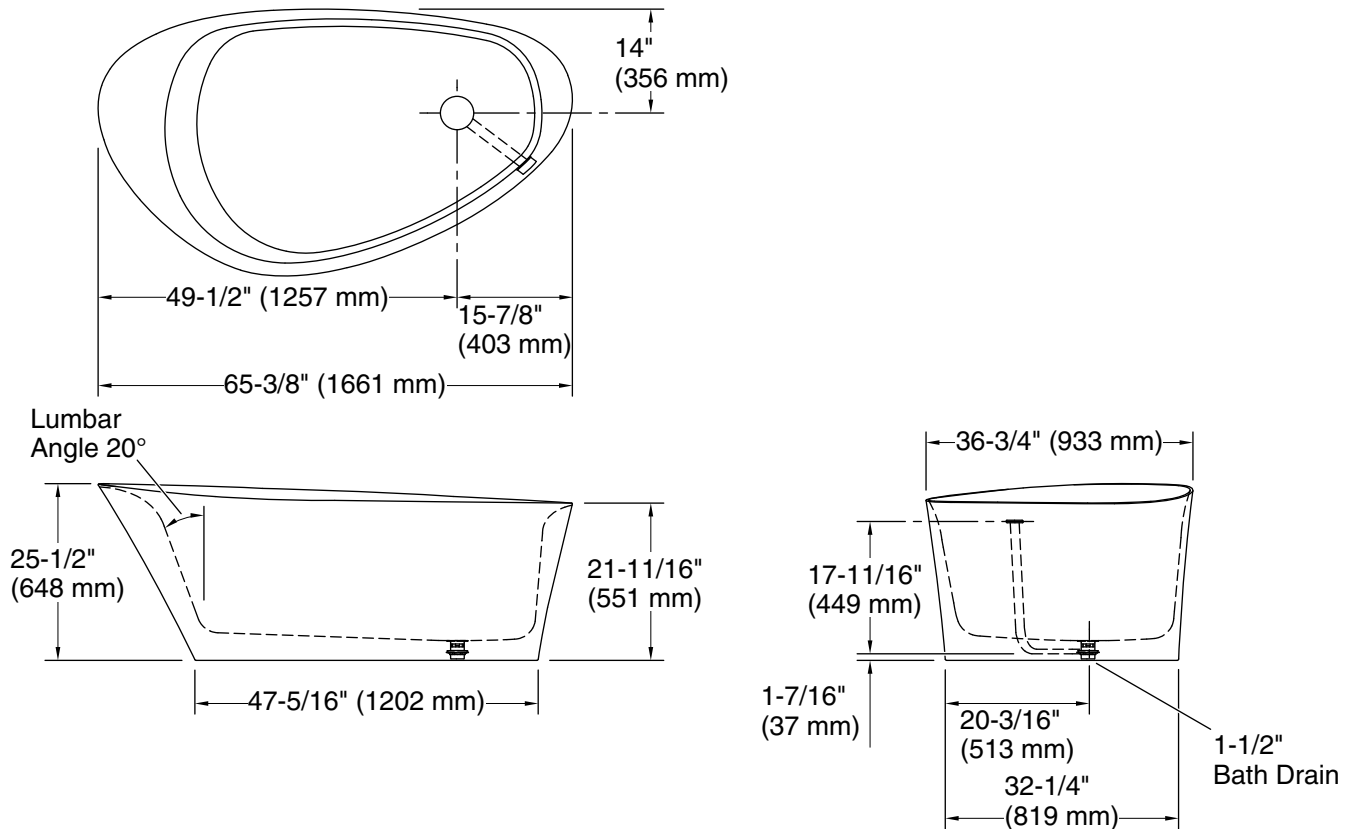
See website for detailed warranty information.

Available Colors/Finishes

Color tiles intended for reference only.

| Color | Code | Description |
|-------|------|-------------|
|-------|------|-------------|

| | | |
|---|---|-------|
|  | 0 | White |
|---|---|-------|



Technical Information

All product dimensions are nominal.

| | |
|---------------------|---|
| Drain location: | Center |
| Basin area, bottom: | 46-9/16" x 22-3/8" (1183 mm x 568 mm) |
| Basin area, top: | 64-7/16" x 36-1/4" (1637 mm x 921 mm) |
| Weight: | 270 lbs (122.5 kg) |
| Minimum floor load: | 91.8 lbs/ft ² (448.2 kg/m ²) |
| Water depth: | 15-7/8" (404 mm) |
| Water capacity: | 84.29 gal (319.1 L) |
| Template: | Footprint, 1314992, not required, not included |

Notes

Measure your actual product for rough-in details.

Install this product according to the installation instructions.

The hot water supply should be 70% of the capacity of the bath or greater. Installations will vary.

Allow for 3" (76 mm) diameter of clearance around the drain pipe on finished floor material to prevent drain body interference during installation.