



Birthday Bath®

72" x 37-1/2" freestanding bath
K-100

Features

- Integral lumbar support
- Safeguard® slip-resistant surface provides excellent traction underfoot

Material

- KOHLER® enameled cast iron
- Painted exterior surface smoothness can vary from product to product

Installation

- Freestanding
- Reversible drain

Required Products/Accessories

- K-102 Ball-and-claw feet
- K-106 Chain and Rubber Stopper Bath Drain

Recommended Products/Accessories

- K-1491 Bath/Whirlpool Pillow
- K-1601 Bath/whirlpool footstop, removable
- K-23726 Drain treatment
- K-23725 Cast iron cleaner



Codes/Standards

- ASME A112.19.1/CSA B45.2
- ASTM F462
- IAPMO Certification

KOHLER® Enameled Cast Iron Bath and Shower Base Lifetime Limited Warranty

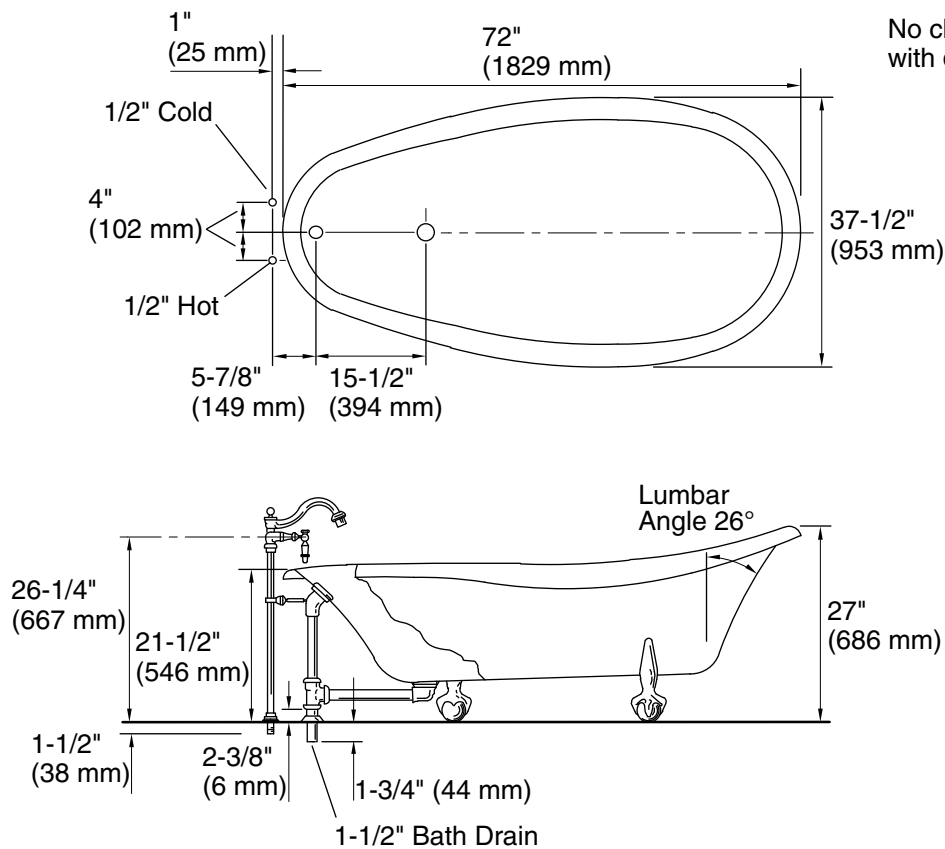
See website for detailed warranty information.

Available Colors/Finishes

Color tiles intended for reference only.

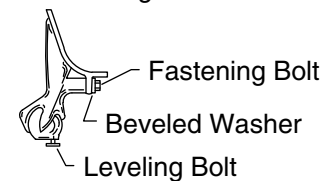
Color	Code	Description
-------	------	-------------

	0	White
---	---	-------



No change in measurements if connected with drain illustrated. (K-106)

Leg Detail



Technical Information

All product dimensions are nominal.

Drain location:	Reversible
Basin area, bottom:	43" x 21" (1092 mm x 533 mm)
Basin area, top:	67" x 31" (1702 mm x 787 mm)
Weight:	430 lbs (195 kg)
Minimum floor load:	47 lbs/ft ² (229.5 kg/m ²)
Water depth:	11-1/8" (283 mm)
Water capacity:	50 gal (189.3 L)
Minimum flat for door:	2-7/8" (74 mm)

Notes

Measure your actual product for rough-in details.

Install this product according to the installation instructions.

The hot water supply should be 70% of the capacity of the bath or greater. Installations will vary.