

### Features

- Real Rain Diverter Valve system actuates Real Rain's Deluge function delivering approximately 0.5 gallons in eight seconds

### Material

- Valve is a forged brass body

### Installation

- Real Rain Diverter Valve is designed to be in-line between the shower valve and Real Rain Panel

### Required Products/Accessories

K-76748 diverter valve trim

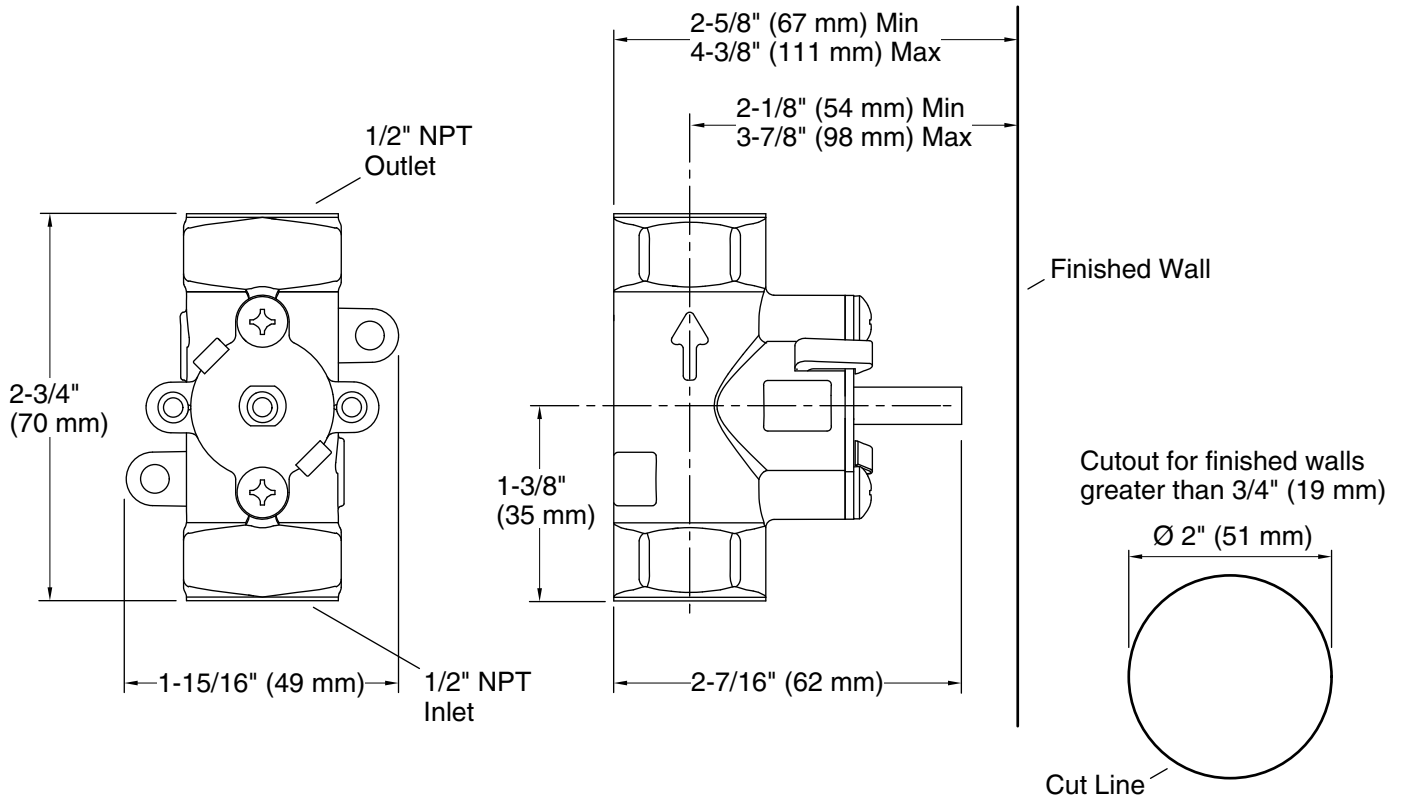


### Codes/Standards

ASME A112.18.1/CSA B125.1  
IAPMO Certification

### KOHLER® Faucet Lifetime Limited Warranty

See website for detailed warranty information.



**Technical Information**

All product dimensions are nominal.

**Notes**

Install this product according to the installation instructions.