

### Features

- Two handles offer separate control of hot and cold water
- 9-5/8" (244 mm) spout reach
- 8.0 gpm (30.3 lpm) maximum bath faucet flow rate at 45 psi (3.1 bar)
- 1.75 gpm (6.6 lpm) maximum handshower flow rate at 80 psi (5.5 bar)
- KOHLER® ceramic disc valves exceed industry longevity standards for a lifetime of durable performance
- Coordinates with other products in the Components collection

### Material

- Premium metal construction for durability and reliability
- KOHLER® finishes resist corrosion and tarnishing

### Installation

- Floor-mount

### Required Products/Accessories

For freestanding installation  
K-97339 Mounting block for select floor-mount bath fillers

### Recommended Products/Accessories

K-23723 Faucet cleaner  
K-78372 18" Towel Bar  
K-78373 24" Towel Bar  
K-78375 24" Double Towel Bar  
K-78377 Hand Towel Arm  
K-78378 Robe Hook  
K-78379 Double Towel Arm  
K-78382 Pivoting toilet paper holder  
K-78383 Vertical toilet paper holder  
K-78384 Covered double toilet paper holder



### Codes/Standards

ASME A112.18.1/CSA B125.1  
DOE - Energy Policy Act 1992  
EPA WaterSense®  
California Energy Commission (CEC)  
IAPMO Certification

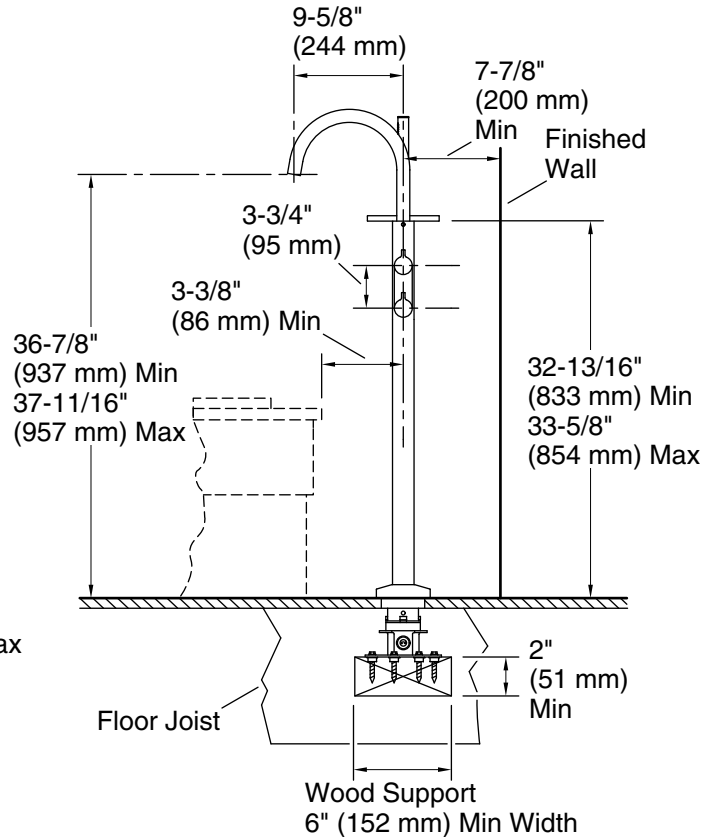
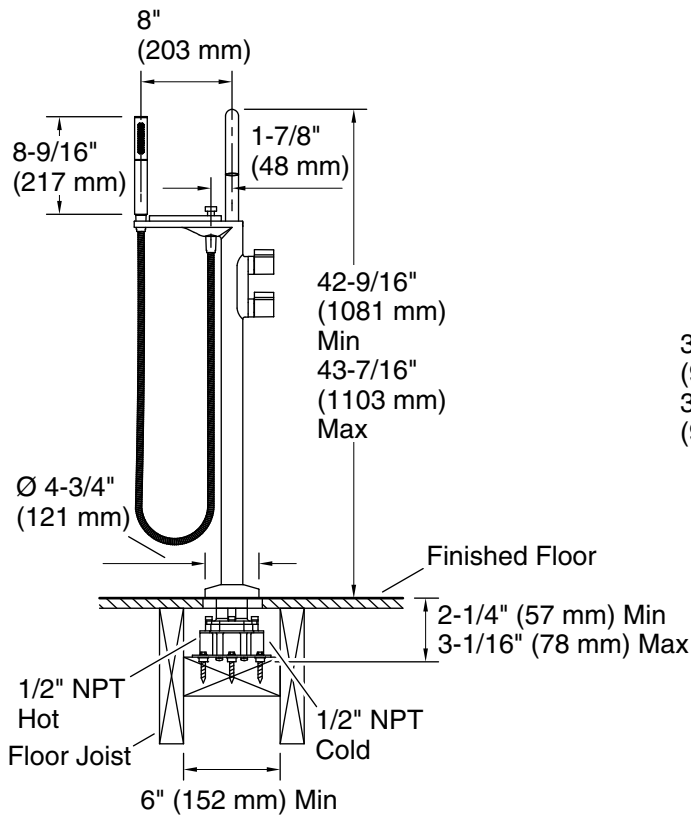
### KOHLER® Faucet Lifetime Limited Warranty

See website for detailed warranty information.

### Available Colors/Finishes

*Color tiles intended for reference only.*

Color	Code	Description
	CP	Polished Chrome
	SN	Vibrant® Polished Nickel
	AF	Vibrant® French Gold
	BN	Vibrant® Brushed Nickel
	BV	Vibrant® Brushed Bronze
	BL	Matte Black
	2MB	Vibrant® Brushed Moderne Brass
	TT	Vibrant Titanium



### Technical Information

All product dimensions are nominal.

#### Faucet:

Flow rate: 8 gal/min (30.3 l/min)

Pressure: 45 psi (3.1 bar)

Drain included: No

#### Spout:

Spout reach: 9-5/8" (244 mm)

#### Handshower:

Rated maximum flow: 1.75 gal/min (6.6 l/min)

Pressure: 80 psi (5.5 bar)

### Notes

Install this product according to the installation instructions.