

Features

- Metal construction
- Adjustable handshower sprayface rotates to select wide coverage or forceful utility spray
- MasterClean™ sprayface features an easy-to-clean surface that withstands mineral buildup and maximizes spray performance
- Complete range of faucets, accessories and showering components to coordinate a full bathroom

Material

- KOHLER® finishes resist corrosion and tarnishing

Required Products/Accessories

K-97339 Mounting block for select floor-mount bath fillers

Recommended Products/Accessories

K-23723 Faucet cleaner
K-73141 18" Towel Bar
K-73142 24" Towel Bar
K-73144 24" Double Towel Bar
K-73145 towel arm
K-73146 Double Robe Hook
K-73147 Pivoting toilet paper holder
K-73148 Vertical toilet paper holder



Codes/Standards

ASME A112.18.1/CSA B125.1
DOE - Energy Policy Act 1992
EPA WaterSense®
California Energy Commission (CEC)
IAPMO Certification

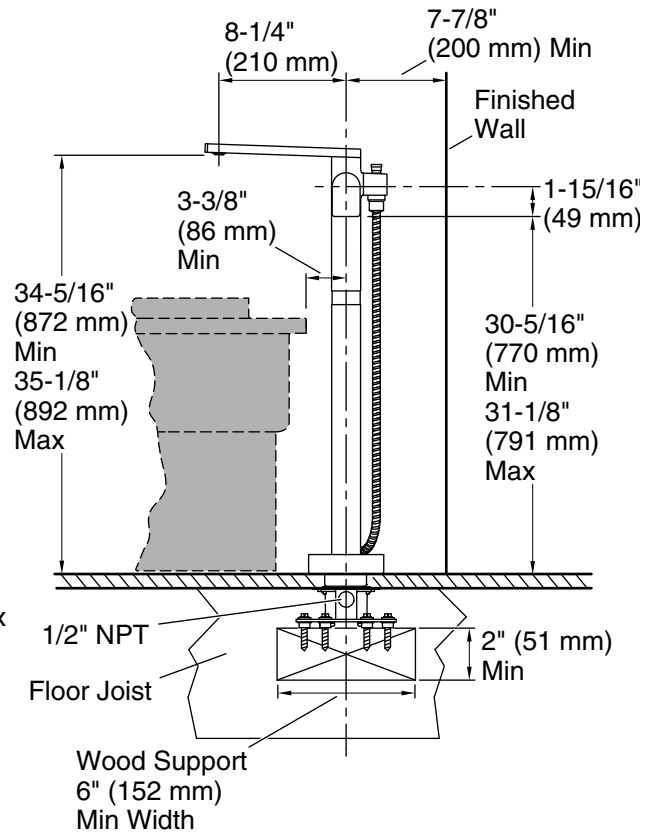
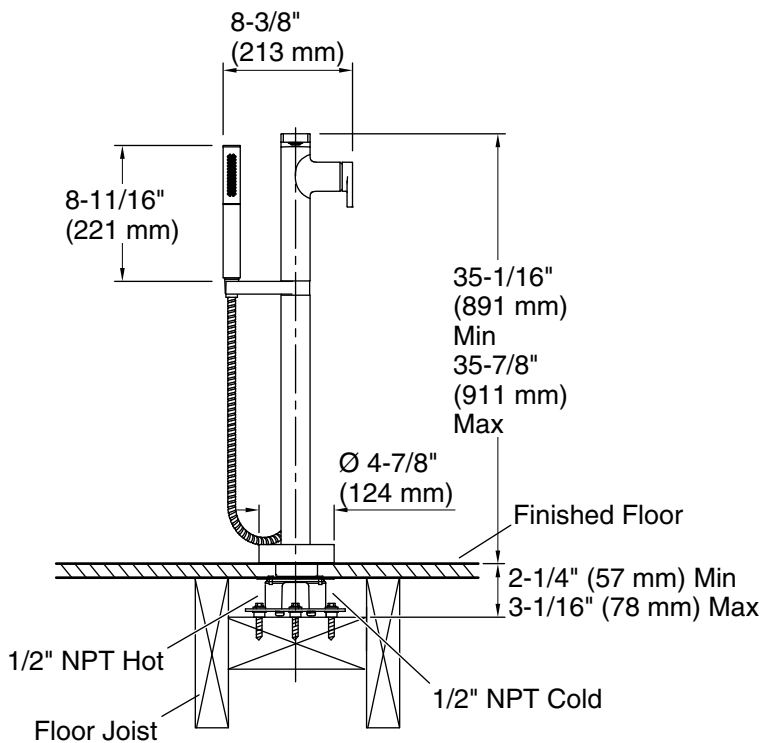
KOHLER® Faucet Lifetime Limited Warranty

See website for detailed warranty information.

Available Colors/Finishes

Color tiles intended for reference only.

Color	Code	Description
	CP	Polished Chrome
	BN	Vibrant® Brushed Nickel
	BL	Matte Black
	2MB	Vibrant® Brushed Moderne Brass
	TT	Vibrant Titanium



Technical Information

All product dimensions are nominal.

Faucet:

Flow rate: 7.5 gal/min (28.4 l/min)

Pressure: 45 psi (3.1 bar)

Drain included: No

Spout:

Spout reach: 8-1/4" (210 mm)

Handshower:

Rated maximum flow: 1.75 gal/min (6.6 l/min)

Pressure: 80 psi (5.5 bar)

Notes

For use with automatic compensating valves rated at 1.3 gal/min (4.9 l/min) or less.

Install this product according to the installation guide.

Adequate floor space is required. The wood support must be a minimum of 2" (51 mm) thick by 6" (152 mm) wide. 2x6 lumber is NOT adequate for this application.

Concrete can be used as the floor support. Requires a 3/16" masonry drill bit and six 1/4" x 1-3/4" concrete screws, which are not included.