

### Features

- Vertical handle complements the contemporary style
- Ultra-low threshold creates easy entry and exit to the showering space
- CleanCoat®+ glass coating creates a hydrophobic barrier that repels water, soap scum, and residue, saving time and protecting shower doors 10 times longer than original CleanCoat. (Based on 2021 internal wear/abrasion testing using a microfiber cloth.)
- Tempered glass ensures enhanced safety and durability

### Material

- Frameless, heavy 5/16" (8 mm) thick Crystal Clear tempered glass

### Technology

- Self-closing mechanism offers superior performance and security against water leakage
- Maximum width adjustability

### Installation

- Out-of-plumb adjustability simplifies installation
- Door can be installed to open to the left or right to suit your bathroom layout
- Pivot shower door
- Not for use in hospitality
- For residential use only



### Codes/Standards




ANSI Z97.1  
CAN/CGSB-12.1  
CPSC 16CFR 1201

### KOHLER® Bath and Shower Doors Ten-Year Limited Warranty

See website for detailed warranty information.

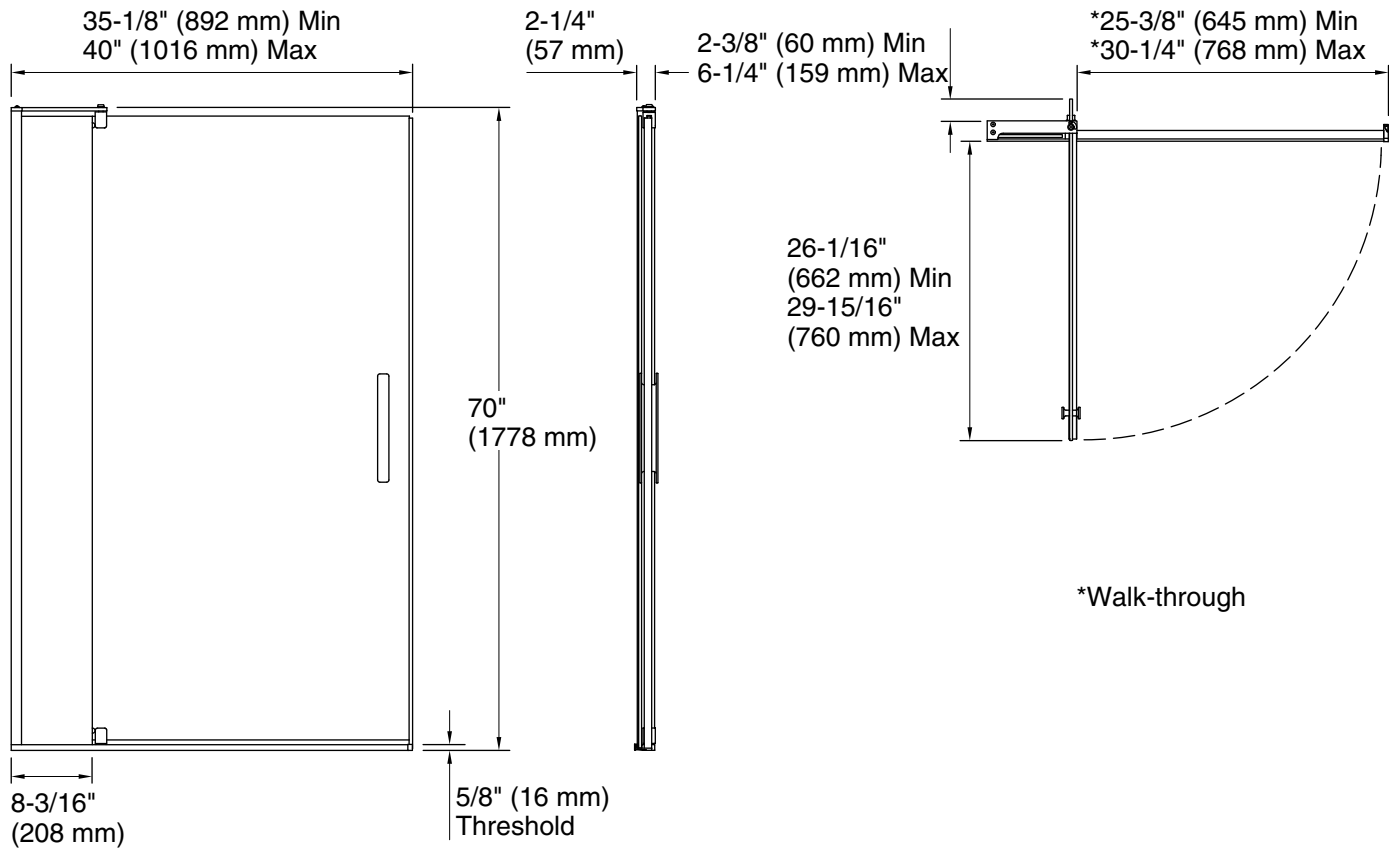
### Available Colors/Finishes

*Color tiles intended for reference only.*

| Color   | Code | Description             |
|---|------|-------------------------|
|  | SHP  | Bright Polished Silver  |
|  | ABZ  | Anodized Dark Bronze    |
|  | BNK  | Anodized Brushed Nickel |

### Available Glass Options

| Code | Description   |
|------|---------------|
| L    | Crystal Clear |



\*Walk-through

### Technical Information

All product dimensions are nominal.

|                     |                |
|---------------------|----------------|
| Base-To-Wall        | 3/8" (10 mm)   |
| Radius – Max:       |                |
| Shower Ledge Min    | 2-1/2" (64 mm) |
| Flat:               |                |
| Shower Wall Min     | 2-1/2" (64 mm) |
| Flat:               |                |
| Wall Studs Required | Yes            |
| for Door:           |                |

### Notes

Install this product according to the installation guide.

Strike jamb is made of clear plastic and may not cover existing shower door holes.

**NOTICE:** The vertical opening should be a minimum of 74" (1880 mm) to allow clearance for installation.

Do not install this door to a plastic shower modules or drywall unless additional support is provided behind the wall.