

Features

- Reversible 1/2" quarter-turn washerless ceramic disc valves
- Lever handles
- Metal construction

Required Products/Accessories

K-302-K 1/2" Ceramic In-Wall Valve System

Recommended Products/Accessories

K-23723 Faucet cleaner

Optional Products/Accessories

56373 Deep Rough-in Kit



ADA

CSA B651

OBC

Codes/Standards

ASME A112.18.1/CSA B125.1

ADA

ICC/ANSI A117.1

CSA B651

OBC

IAPMO Certification

KOHLER® Faucet Lifetime Limited Warranty

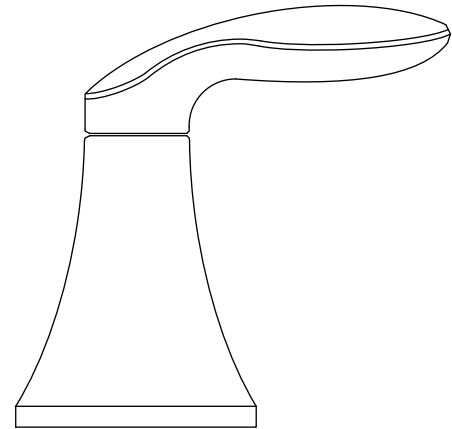
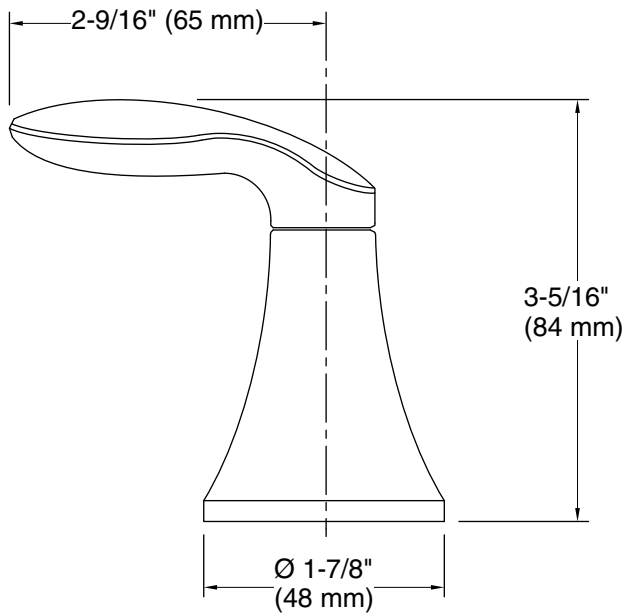
See website for detailed warranty information.

Available Colors/Finishes

Color tiles intended for reference only.

Color	Code	Description
-------	------	-------------

	CP	Polished Chrome
---	----	-----------------



Technical Information

All product dimensions are nominal.

Notes

Install this product according to the installation instructions.

ADA, OBC, CSA B651 compliant when installed to the specific requirements of these regulations.