

Features

- Digitally controlled thermostatic mixing valve
- Antiscald protection
- Three independently controllable 1/2" outlets with copper tube connections
- Up to 13 gpm (49.2 lpm) flow rate at 45 psi (3.1 bar) with maximum flow of 8 gpm (30.3 lpm) from one outlet
- 1/2" (12.7 mm) inlets with copper tube connections
- High-temperature limit setting for additional protection

Material

- Reinforced engineering-grade thermoplastic body

Installation

- Can be mounted within a standard 2x4 wall cavity
- Prewired with three-prong plug for connection to 110 V AC receptacle

Required Products/Accessories

K-99695 System Controller Module

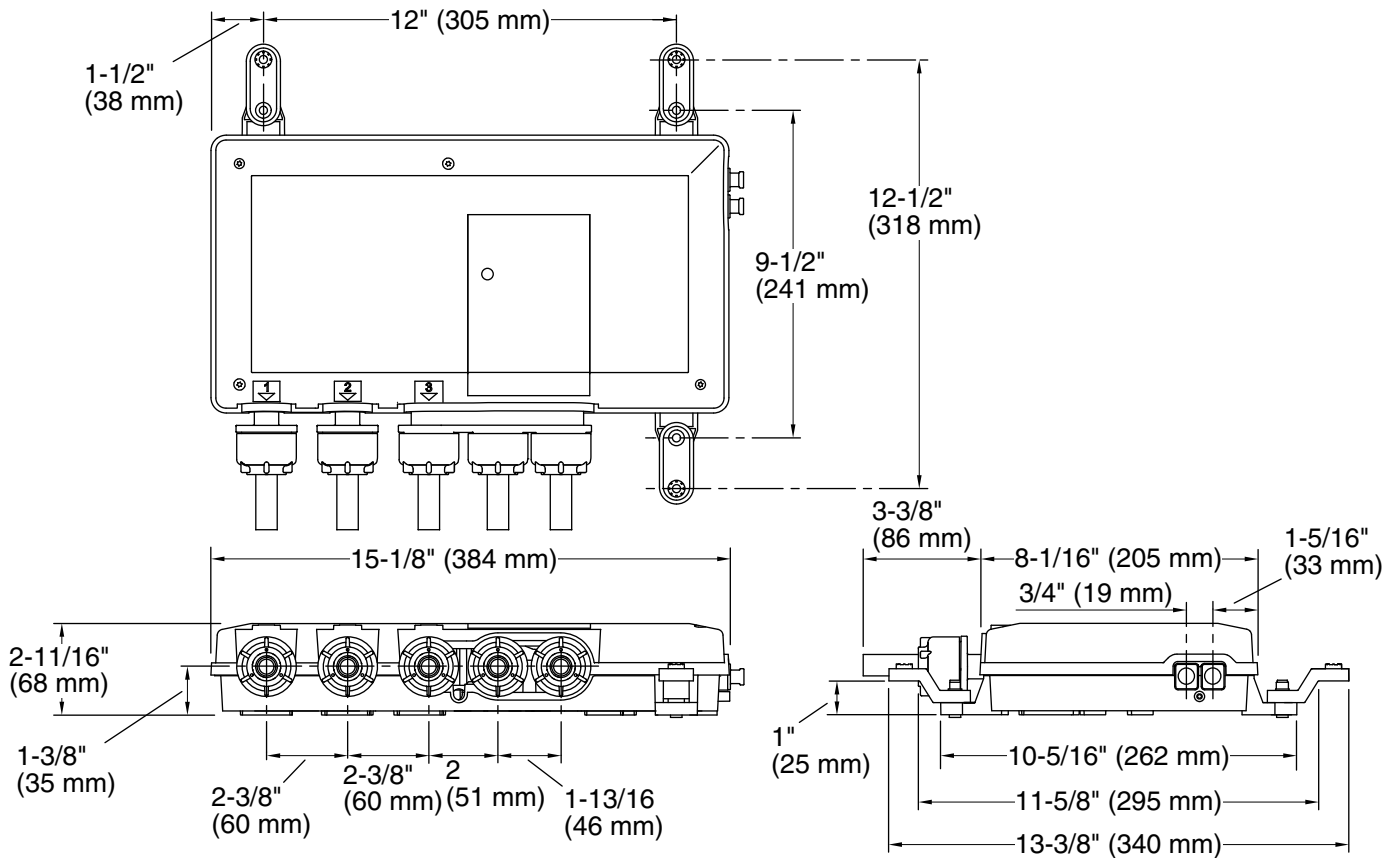


Codes/Standards

ASME A112.18.1/CSA B125.1
ASSE 1016/ASME A112.1016/CSA B125.16
UL 1951
IAPMO Certification
UL Listed

KOHLER® Electronic Faucets, Valves, and Controls Five-Year Limited Warranty

See website for detailed warranty information.



Required Electrical Service

One circuit required.

Thermostatic valve: 120 V, 15 A, 60 Hz

Technical Information

All product dimensions are nominal.

Electrical component Thermostatic valve: 120 V, 0.31 A, 60 Hz rating:

Max. Ambient temp: 104°F (40°C)

Max. Relative humidity non-condensing: 95%

Notes

Install this product according to the installation guide.

If used for bath-shower system, the bath spout must be connected to the #1 outlet port and restricted to 10 gal/min (37.9 l/min) maximum.

Provide access for servicing valve.

Use 1/2" supply lines.

Do not install this valve in walls exposed to subfreezing temperatures.

Avoid mounting the valve in a wall adjacent to a frequently occupied room, such as a bedroom or living room.

Pressure regulators are strongly recommended in applications where large pressure swings are anticipated or pressure differences between the supplies exist, such as commercial installations with separate hot and cold supply systems.

Water hammer arrestors and shut-offs are required in both the hot and cold supplies.

A 1/2" cap must be installed on any unused