

Features

- The bridge and switch module system allows the user to control and operate most electrical devices from the DTV+ interface
- The bridge module provides wireless communication between the DTV+ Controller and the switch modules
- DTV+ system can control up to three switch modules utilizing the bridge module
- Example applications: Bathroom lighting, bathroom fans, switchable glass, towel warmers



Material

- Premium material construction for durability and reliability

Installation

- On/off and dimmer switch modules must be located within 25ft of the bridge module for reliable operation
- Includes 6ft RJ45 Ethernet cable for connection to DTV+ System Controller

Required Products/Accessories

K-99693-P Digital interface
K-99694 Interface Mounting Bracket
K-99695 System Controller Module
K-99699 On/Off Switch Module

or

K-99693-P Digital interface
K-99694 Interface Mounting Bracket
K-99695-E Eco-system controller module
K-99700 Dimmer Module

or

K-99693-P Digital interface
K-99694 Interface Mounting Bracket
K-99695 System Controller Module
K-99700 Dimmer Module

or

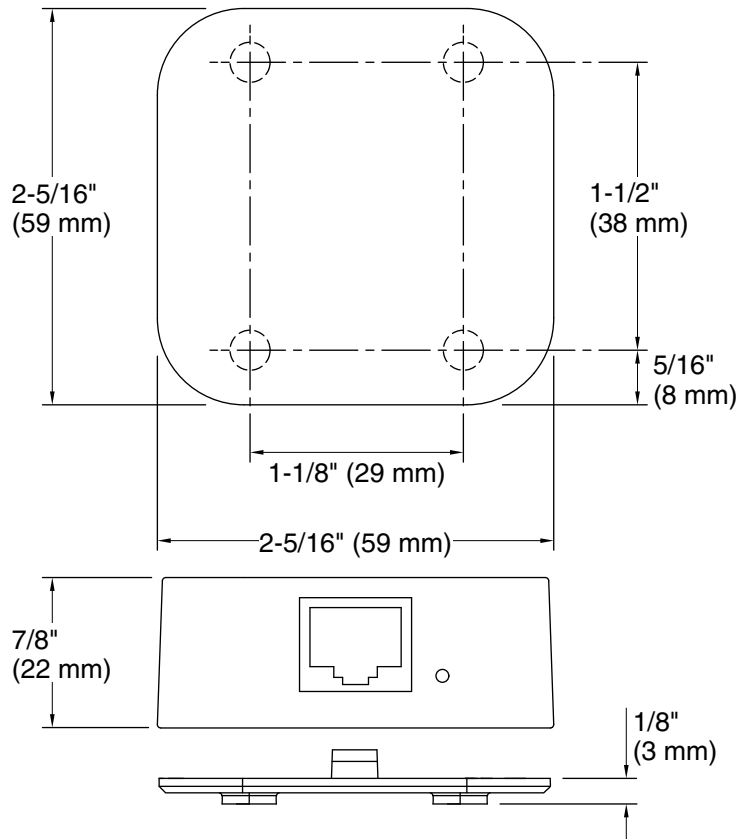
K-99693-P Digital interface
K-99694 Interface Mounting Bracket
K-99695-E Eco-system controller module
K-99699 On/Off Switch Module

Codes/Standards

cUL Listed
UL Listed

KOHLER® Electronic Faucets, Valves, and Controls Five-Year Limited Warranty

See website for detailed warranty information.



Technical Information

All product dimensions are nominal.

Max. Ambient temp: 104°F (40°C)

Max. Relative humidity non-
condensing: 95%

Notes

Install this product according to the installation guide.

Install the bridge within 5' (1.5 m) of the DTV+ system controller or obtain a longer cable.