

Pose 7242 Acrylic Drop-in Bathtub

Model number:

101461-000-007

Dimensions: 72" x 42" x 23.625"

Installation: Drop-in

Material: Acrylic

Standard Features:

- Rectangular shape bathtub with choices of two deck heights (3/8 or 2 in.) Please specify when ordering
- Drop-in or undermount 10 installation; model also available with integrated flange (IF) for alcove installation
- Textured floor
- Ample deck space for faucet installation
- Skirt with or without access panel available

Systems:

Whirlpool
Product Pack
Combined Whirlpool/Aeroeffect
Aeroeffect



Standard Colors:



White



Bone



Biscuit

Certifications

MAAX products adhere to one or more of the following certifications:



MAAX

Pose 7242 Acrylic Drop-in Bathtub

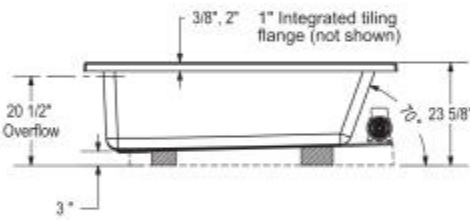
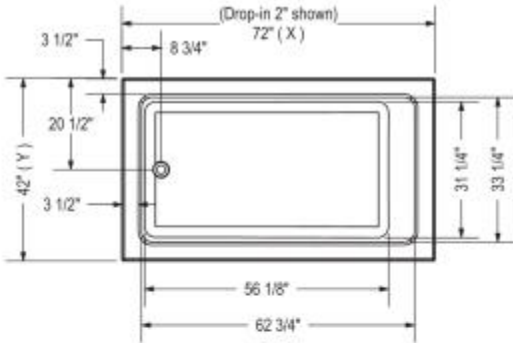
Model number:

101461-000-007

Dimensions: 72" x 42" x 23.625"

Installation: Drop-in

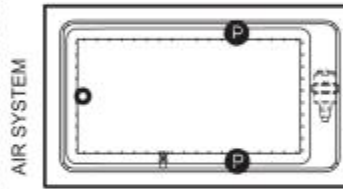
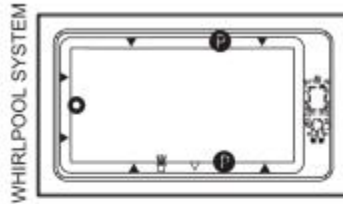
Material: Acrylic



| | DROP IN 2" | DROP IN 3/8" | ALCOVE / CORNER |
|---|------------|--------------|-----------------|
| X | 72" | 71 3/4" | 71 1/2" |
| Y | 42" | 41 1/2" | 41 5/8" |

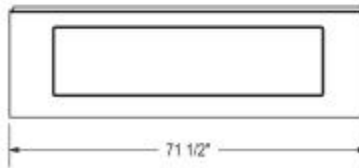
Wood support design may vary.
Integrated tiling flange: 1" height X 1/4" thickness (not shown)
Tiling flange position is determined by chosen configuration.

All dimensions are approximate.
Structure measurement must be verified against the unit to ensure proper fit.



- : Indicates optional grab bar positioning
- { ▲ } : Indicates whirlpool jets positioning
- { △ } : Indicates suction positioning
- : Indicates Aerofeel airjets positioning
- { ✖ } : Indicates chromatherapy light positioning

APRON (alcove version only)



Dimensions

72 x 42 x 23 3/4 In.
(1829 x 1067 x 600 mm)

Water Capacity

116 gallons - 441 liters

Weight

95 lbs - 43 kg

Bathing Well

62 3/4 In. x 33 1/4 In.
(1594 mm x 845 mm)

Deep Sump Height

20 In. - 508 mm

Deck Width

3.5 In. - 89 mm

Drain location:

End

Project:

Contractor:

Representative:

Date:

Tel:

Notes:

MAAX