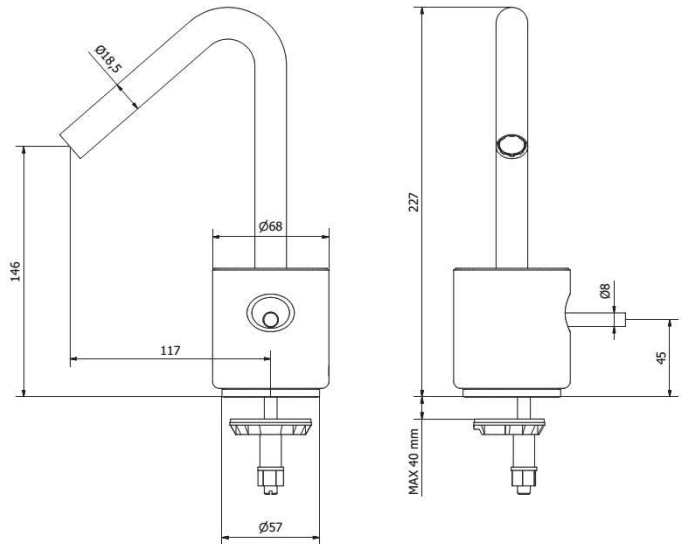


AQUABRASS

CL14BC



Product Description

Single-hole lavatory faucet

- solid brass construction
- crystal clear water flow
- single volume and temperature joystick control
- press pop-up drain with overflow included
- 3/8" connection

height: 8^{15/16"}
overall projection: 6^{3/16"}
flow rate: 1.3 gpm*

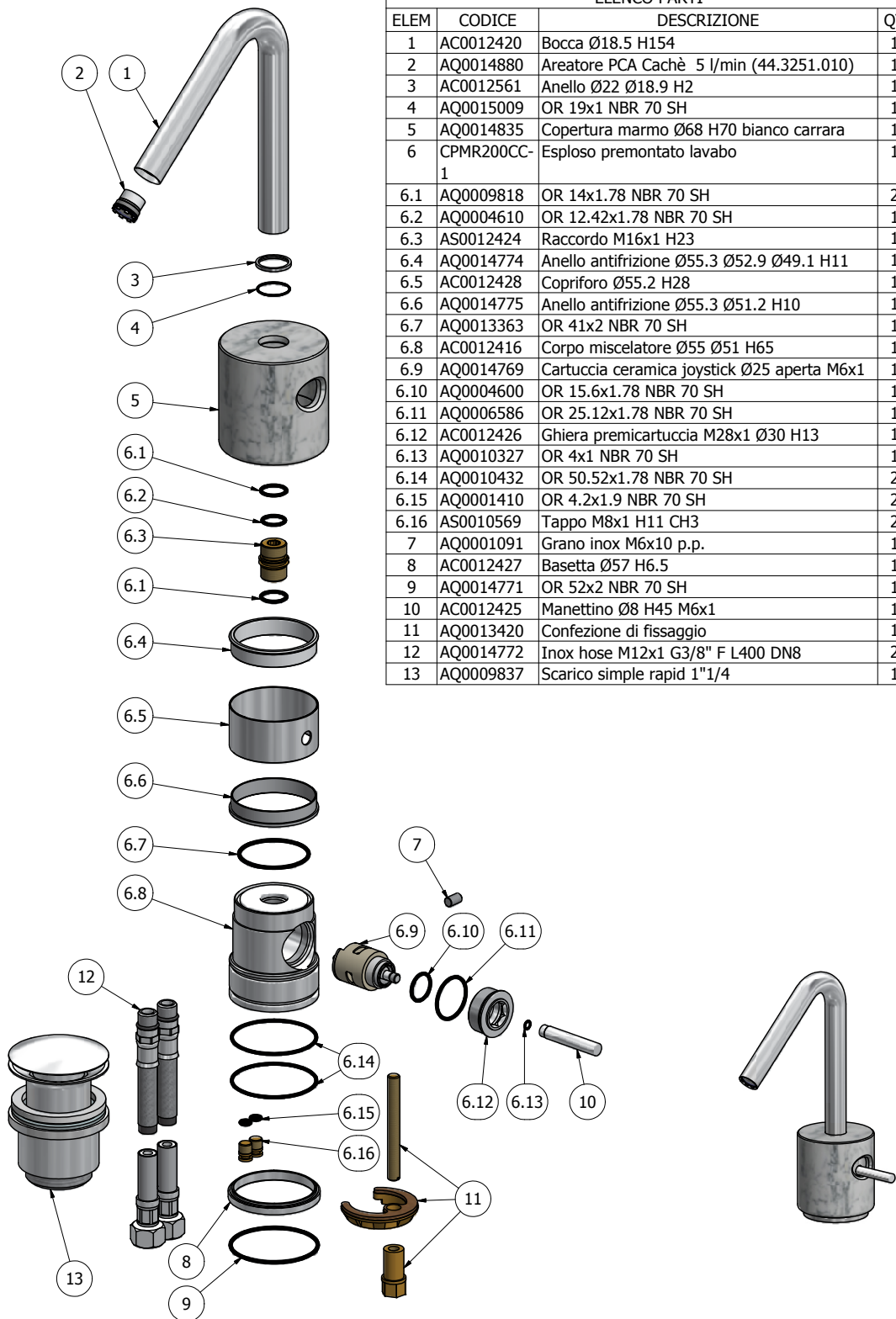
FINISHES

Standard
Polished chrome (pc)

Custom
15 custom finishes available
(ask your local Aquabrace authorized dealer for details)

*Optional low flow aerator: #ABAE443360010 (1.2 gpm)

AQUABRASS



ELENCO PARTI			
ELEM	CODICE	DESCRIZIONE	QT
1	AC0012420	Bocca Ø18.5 H154	1
2	AQ0014880	Areatore PCA Cachè 5 l/min (44.3251.010)	1
3	AC0012561	Anello Ø22 Ø18.9 H2	1
4	AQ0015009	OR 19x1 NBR 70 SH	1
5	AQ0014835	Copertura marmo Ø68 H70 bianco carrara	1
6	CPMR200CC-1	Esploso premontato lavabo	1
6.1	AQ0009818	OR 14x1.78 NBR 70 SH	2
6.2	AQ0004610	OR 12.42x1.78 NBR 70 SH	1
6.3	AS0012424	Raccordo M16x1 H23	1
6.4	AQ0014774	Anello antifrizione Ø55.3 Ø52.9 Ø49.1 H11	1
6.5	AC0012428	Copriforo Ø55.2 H28	1
6.6	AQ0014775	Anello antifrizione Ø55.3 Ø51.2 H10	1
6.7	AQ0013363	OR 41x2 NBR 70 SH	1
6.8	AC0012416	Corpo miscelatore Ø55 Ø51 H65	1
6.9	AQ0014769	Cartuccia ceramica joystick Ø25 aperta M6x1	1
6.10	AQ0004600	OR 15.6x1.78 NBR 70 SH	1
6.11	AQ0006586	OR 25.12x1.78 NBR 70 SH	1
6.12	AC0012426	Ghiera premicartuccia M28x1 Ø30 H13	1
6.13	AQ0010327	OR 4x1 NBR 70 SH	1
6.14	AQ0010432	OR 50.52x1.78 NBR 70 SH	2
6.15	AQ0001410	OR 4.2x1.9 NBR 70 SH	2
6.16	AS0010569	Tappo M8x1 H11 CH3	2
7	AQ0001091	Grano inox M6x10 p.p.	1
8	AC0012427	Basetta Ø57 H6.5	1
9	AQ0014771	OR 52x2 NBR 70 SH	1
10	AC0012425	Manettino Ø8 H45 M6x1	1
11	AQ0013420	Confezione di fissaggio	1
12	AQ0014772	Inox hose M12x1 G3/8" F L400 DN8	2
13	AQ0009837	Scarico simple rapid 1"1/4	1