

### Features

- Single lever handle allows for both on/off activation and temperature setting
- Includes Artifacts® single-function handshower and a 60" (1524 mm) hose
- KOHLER® ceramic disc valves exceed industry longevity standards for a lifetime of durable performance
- 6 gpm (gallons per minute) at 45 PSI
- 1.75 gpm (6.6 lpm) flow rate for handshower
- Coordinates with Kelston faucets, accessories, and showering components to complete your bathroom
- Requires K-97339 mounting-block (sold separately)

### Material

- Premium metal construction for durability and reliability
- KOHLER® finishes resist corrosion and tarnishing

### Installation

- Floor-mount
- Compatibility with bathtub varies by application

### Required Products/Accessories

K-97339 Mounting block for select floor-mount bath fillers

### Recommended Products/Accessories

K-23723 Faucet cleaner  
K-13500 18" Towel Bar  
K-13501 24" Towel Bar  
K-13504 Pivoting toilet paper holder  
K-13505 Robe Hook  
K-13507 Towel Ring

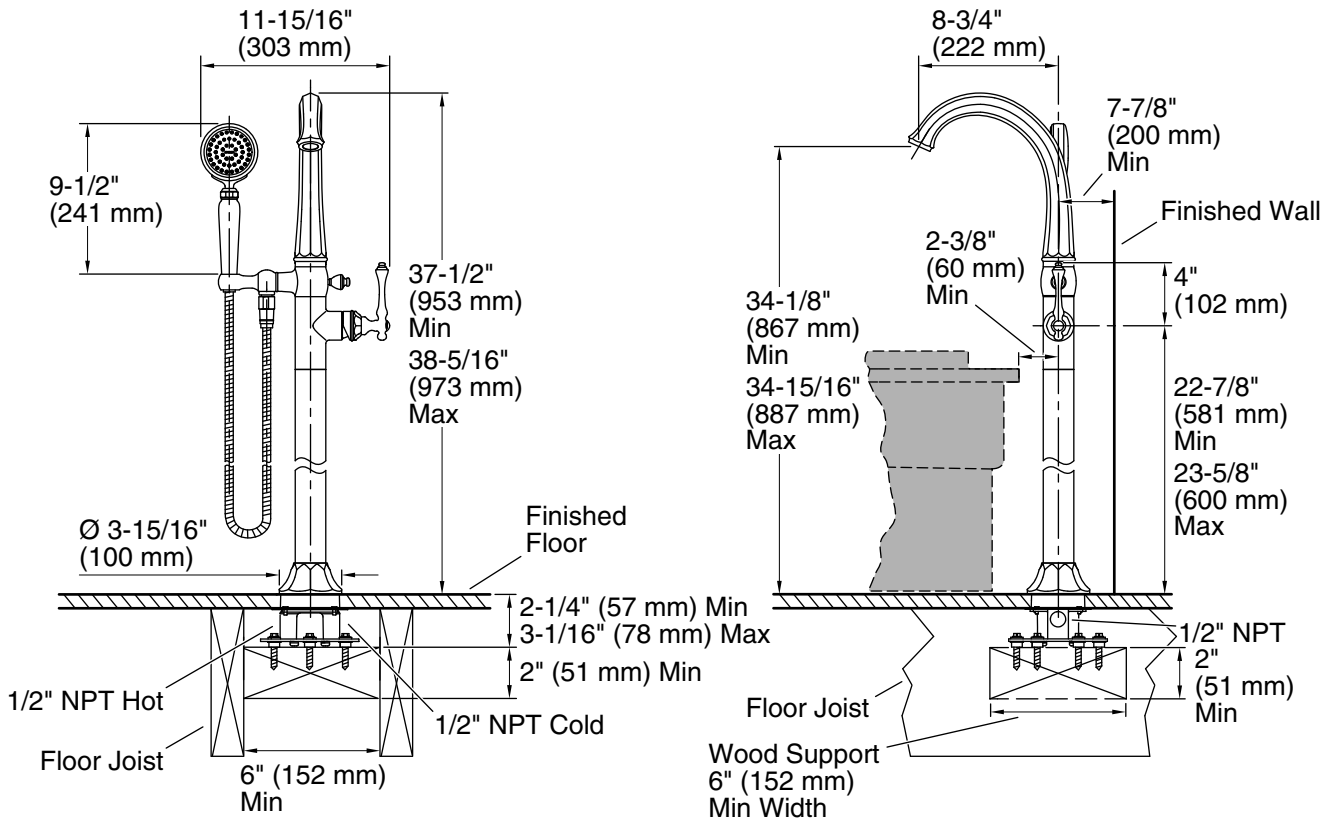


### Codes/Standards

ASME A112.18.1/CSA B125.1  
DOE - Energy Policy Act 1992  
EPA WaterSense®  
California Energy Commission (CEC)  
IAPMO Certification

### KOHLER® Faucet Lifetime Limited Warranty

See website for detailed warranty information.



### Technical Information

All product dimensions are nominal.

#### Faucet:

Flow rate: 6 gal/min (22.7 l/min)

Pressure: 45 psi (3.1 bar)

Drain included: No

#### Spout:

Spout reach: 8-13/16" (224 mm)

#### Handshower:

Rated maximum flow: 1.75 gal/min (6.6 l/min)

Pressure: 80 psi (5.5 bar)

### Notes

Install this product according to the installation guide.

Adequate floor support is required. The wood support must be a minimum of 2" (51 mm) thick by 6" (152 mm) wide. 2x6 lumber is NOT adequate for this application.

Concrete can be used as the floor support. Requires 3/16" masonry drill bit and six 1/4" x 1-3/4" concrete screws, not included.