

Features

- Two lever handles offer separate control of hot and cold water
- 7-5/8" (194 mm) nondiverter spout
- KOHLER® ceramic disc valves exceed industry longevity standards for a lifetime of durable performance
- Coordinates with Alteo faucets, accessories, and showering components to complete your bathroom
- Trim only, requires valve to complete installation

Material

- Premium metal construction for durability and reliability
- KOHLER® finishes resist corrosion and tarnishing

Installation

- Deck- or bath-mount

Required Products/Accessories

K-300-K High Flow Bath Valve

or

K-301-K 3/4" high-flow bath valve

Recommended Products/Accessories

K-23723 Faucet cleaner
K-37050 18" Towel Bar
K-37051 24" Towel Bar
K-37054 Pivoting toilet paper holder
K-37055 Robe Hook
K-37056 Vertical toilet paper holder
K-37057 Towel Ring

Optional Products/Accessories

73444 Roughing-in Kit for 1/2" Valve Systems
1086701 Roughing-in Kit for 3/4" Valve Systems



ADA CSA B651 OBC

Codes/Standards

ASME A112.18.1/CSA B125.1

ADA

ICC/ANSI A117.1

CSA B651

OBC



IAPMO Certification

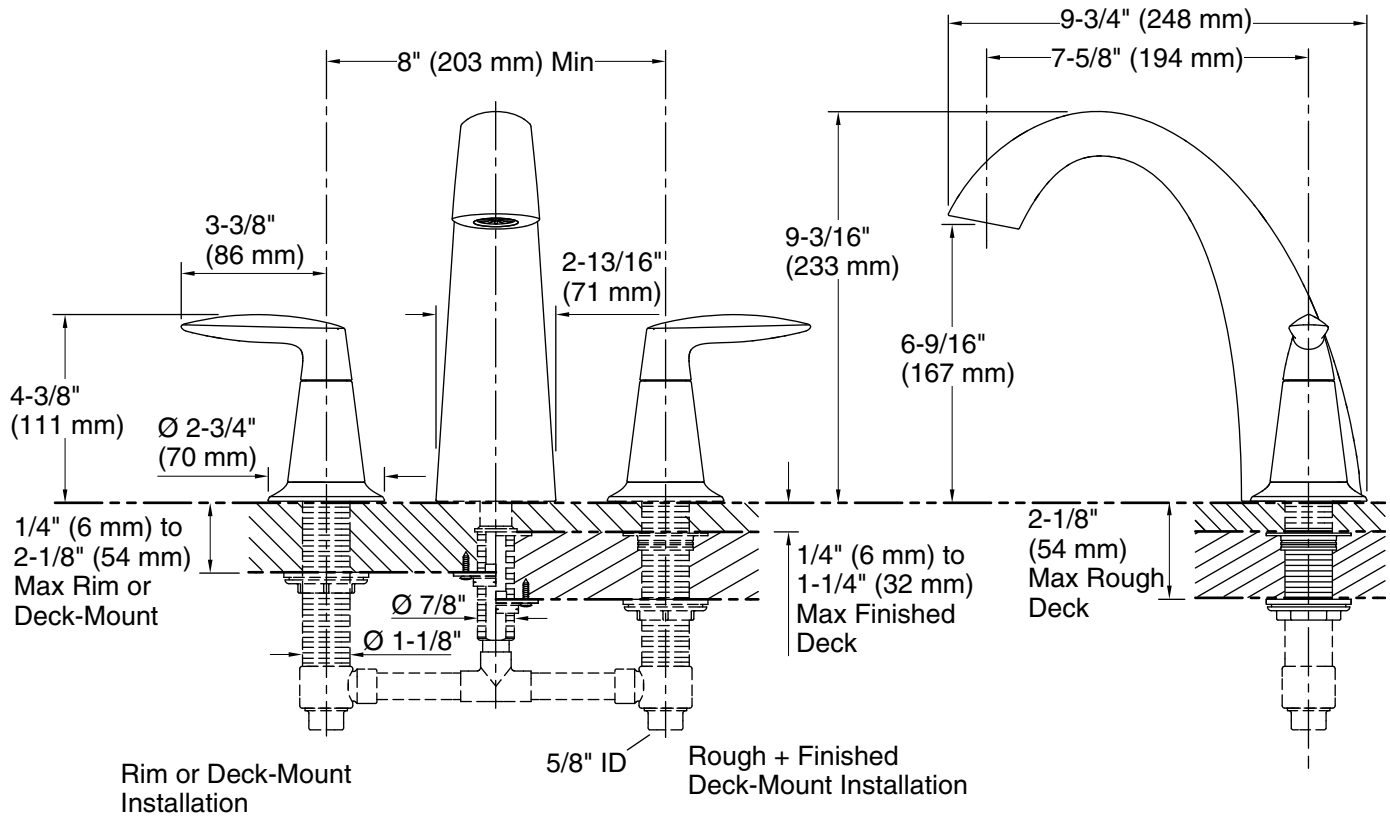
KOHLER® Faucet Lifetime Limited Warranty

See website for detailed warranty information.

Available Colors/Finishes

Color tiles intended for reference only.

Color	Code	Description
	CP	Polished Chrome
	BN	Vibrant® Brushed Nickel



Technical Information

All product dimensions are nominal.

Drain included: No

Notes

Install this product according to the installation instructions.

ADA, OBC, CSA B651 compliant when installed to the specific requirements of these regulations.