

### Features

- Two lever handles offer separate control of hot and cold water
- 8-5/8" (219 mm) spout reach
- 1.2 gpm (4.5 lpm) maximum flow rate at 60 psi (4.14 bar)
- Fluid design lines for ease of cleaning
- Coordinates with other products in the Parallel collection

### Material

- Solid-brass construction for durability and reliability
- KOHLER® finishes resist corrosion and tarnishing

### Installation

- Wall-mount

### Required Products/Accessories

For wall-mount installation

K-410-K Wall-mount Valve

### Adapters, Rough-in and Extension Kits

1349542

Range: 2-1/2" (64 mm) -  
3-1/2" (89 mm)

### Recommended Products/Accessories

- K-23726 Drain treatment
- K-23723 Faucet cleaner
- K-21897 Double toilet paper holder
- K-23524 18" towel bar
- K-23525 24" towel bar
- K-23526 Towel arm
- K-23527 Vertical toilet paper holder
- K-23528 Pivoting toilet paper holder
- K-23529 Robe hook

### Optional Products/Accessories

- K-7107 Decorative Drain
- K-7108 Decorative Drain
- K-7129 Drain
- K-7129-A Drain



### Codes/Standards






ASME A112.18.1/CSA B125.1  
NSF/ANSI/CAN 61  
NSF/ANSI/CAN 372  
All applicable US Federal and State material regulations  
DOE - Energy Policy Act 1992  
EPA WaterSense®  
California Energy Commission (CEC)  
ADA  
ICC/ANSI A117.1  
CSA B651  
OBC  
IAPMO Certification

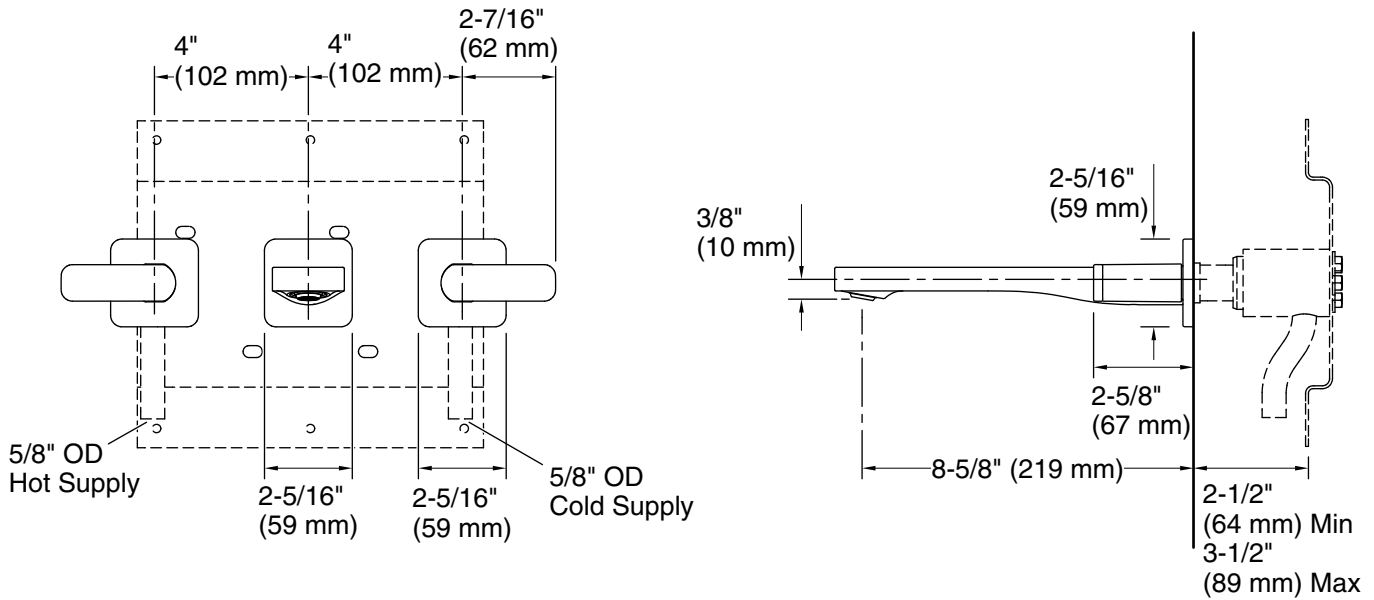
### KOHLER® Faucet Lifetime Limited Warranty

See website for detailed warranty information.

### Available Colors/Finishes

*Color tiles intended for reference only.*

Color	Code	Description
	CP	Polished Chrome
	SN	Vibrant® Polished Nickel
	BN	Vibrant® Brushed Nickel
	BL	Matte Black
		Vibrant® Brushed Modern



### Technical Information

All product dimensions are nominal.

#### Faucet:

Flow rate: 2 gal/min (7.6 l/min)

Pressure: 60 psi (4.1 bar)

Drain included: No

Drain with overflow: Yes

#### Spout:

Spout reach: 4" (102 mm)

### Notes

Install this product according to the installation instructions.

ADA, OBC, CSA B651 compliant when installed to the specific requirements of these regulations.