

### Features

- A single handle controls both on/off activation and temperature setting
- KOHLER® ceramic disc valves exceed industry longevity standards for a lifetime of durable performance
- Coordinates with other products in the Components collection

### Material

- Premium metal construction for durability and reliability
- KOHLER® finishes resist corrosion and tarnishing

### Installation

- Wall-mount

### Required Products/Accessories

K-T23888 Wall-mount bathroom sink faucet spout with Ribbon design, 1.2 gpm

or

K-T23889 Wall-mount bathroom sink faucet spout with Row design, 1.2 gpm

or

K-T23890 Wall-mount bathroom sink faucet spout with Tube design, 1.2 gpm

### Recommended Products/Accessories

K-78372 18" Towel Bar  
 K-78373 24" Towel Bar  
 K-78375 24" Double Towel Bar  
 K-78377 Hand Towel Arm  
 K-78378 Robe Hook  
 K-78379 Double Towel Arm  
 K-78382 Pivoting toilet paper holder  
 K-78383 Vertical toilet paper holder  
 K-78384 Covered double toilet paper holder

### Optional Products/Accessories

K-7107 Decorative Drain  
 K-7108 Decorative Drain  
 K-7114 Pop-Up Drain  
 K-7114-A Pop-Up Drain  
 K-7127 Drain  
 K-7127-A Drain  
 K-7129 Drain  
 K-7129-A Drain



ADA CSA B651 OBC

### Codes/Standards

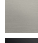


ASME A112.18.1/CSA B125.1  
 NSF/ANSI/CAN 61  
 NSF/ANSI/CAN 372  
 All applicable US Federal and State material regulations  
 ADA  
 ICC/ANSI A117.1  
 CSA B651  
 OBC  
 IAPMO Certification

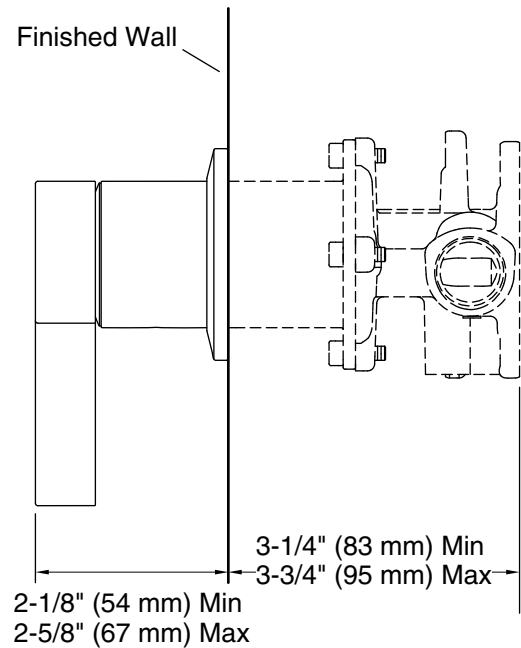
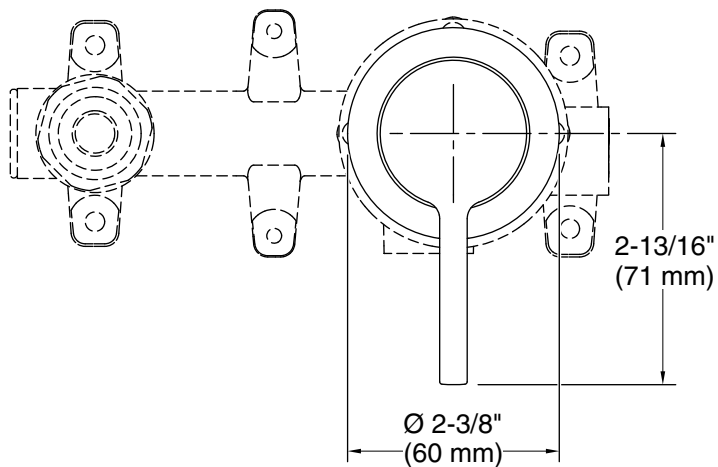
### KOHLER® Faucet Lifetime Limited Warranty

See website for detailed warranty information.

### Available Colors/Finishes

*Color tiles intended for reference only.*

Color	Code	Description
	CP	Polished Chrome
	BN	Vibrant® Brushed Nickel
	BL	Matte Black
	2MB	Vibrant® Brushed Moderne Brass



### Technical Information

All product dimensions are nominal.

Drain included: No

### Notes

Install this product according to the installation instructions.

ADA compliant for handles only.

ADA, OBC, CSA B651 compliant when installed to the specific requirements of these regulations.