

## Features

- Metal construction
- One-piece, self-contained ceramic disc valve allows both volume and temperature control
- Pop-up drain with lift rod and tailpiece
- 5" (127 mm) spout reach
- Stationary spout
- Lever handle
- Includes a 6-1/4" (159 mm) escutcheon plate for three-hole bathroom sinks
- 1.2 gpm (4.5 lpm) maximum flow rate at 60 psi (4.14 bar)

## Installation

- Single-hole installation

## Recommended Products/Accessories

K-23726 Drain treatment  
K-23723 Faucet cleaner  
K-37050 18" Towel Bar  
K-37051 24" Towel Bar  
K-37054 Pivoting toilet paper holder  
K-37055 Robe Hook  
K-37056 Vertical toilet paper holder  
K-37057 Towel Ring



ADA

CSA B651

OBC

## Codes/Standards

ASME A112.18.1/CSA B125.1  
NSF/ANSI/CAN 61  
NSF/ANSI/CAN 372  
All applicable US Federal and State material regulations  
DOE - Energy Policy Act 1992  
EPA WaterSense®  
California Energy Commission (CEC)  
ADA  
ICC/ANSI A117.1  
CSA B651  
OBC  
IAPMO Certification


## KOHLER® Faucet Lifetime Limited Warranty

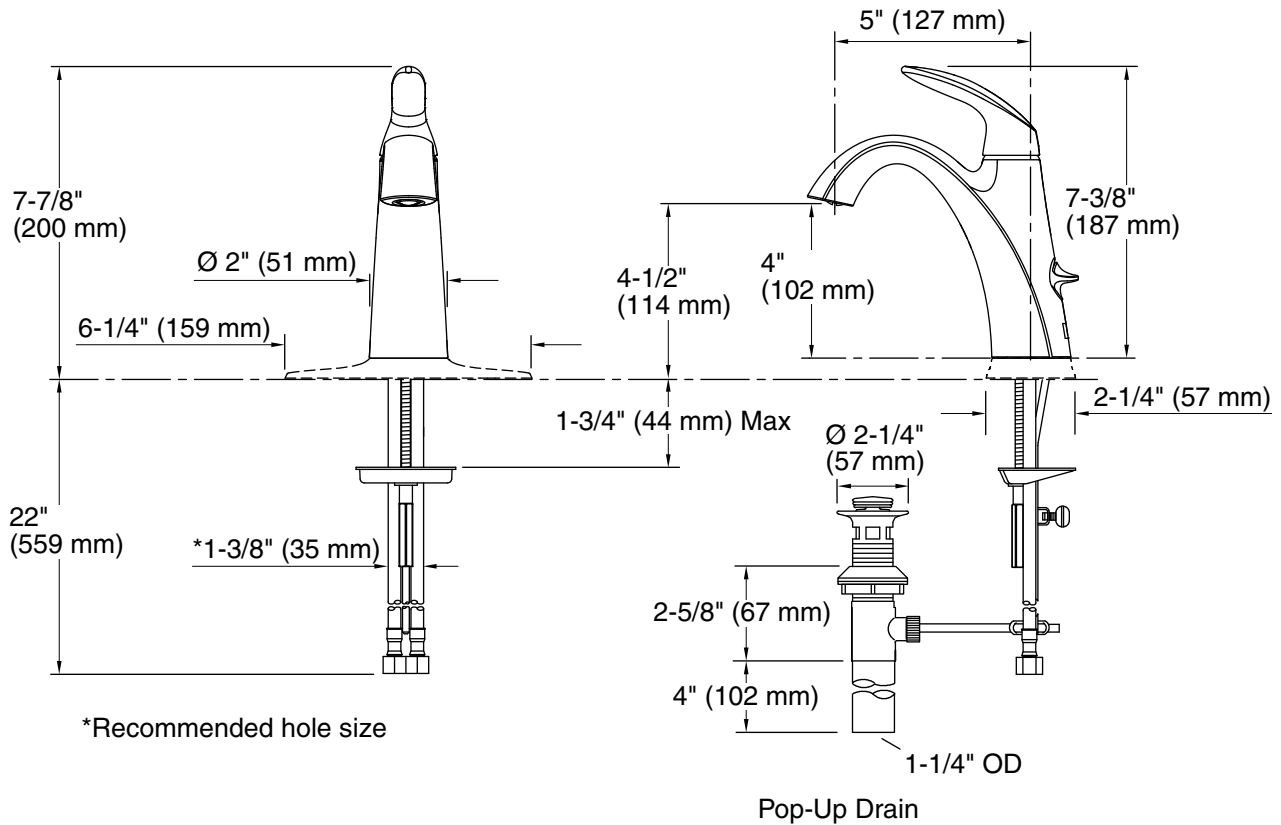
See website for detailed warranty information.

## Available Colors/Finishes

*Color tiles intended for reference only.*

### Color Code Description

	CP	Polished Chrome
	BN	Vibrant® Brushed Nickel



## Technical Information

All product dimensions are nominal.

### Faucet:

Flow rate: 1.2 gal/min (4.5 l/min)

Pressure: 60 psi (4.1 bar)

Drain included: Yes

### Spout:

Spout reach: 4-1/2" (115 mm)

## Notes

Install this product according to the installation guide.

If possible, install the faucet and drain to the bathroom sink before installing the sink.

ADA compliant for handles only.

ADA, OBC, CSA B651 compliant when installed to the specific requirements of these regulations.