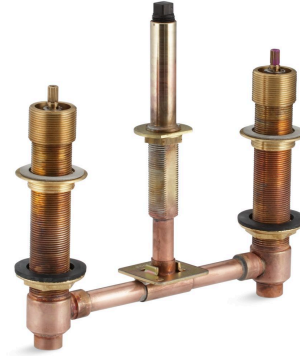


Features

- Time-tested and durable brass valve bodies
- For baths with finished deck- or rim-mount installations
- Includes rigid connections

Material

- Brass valve bodies



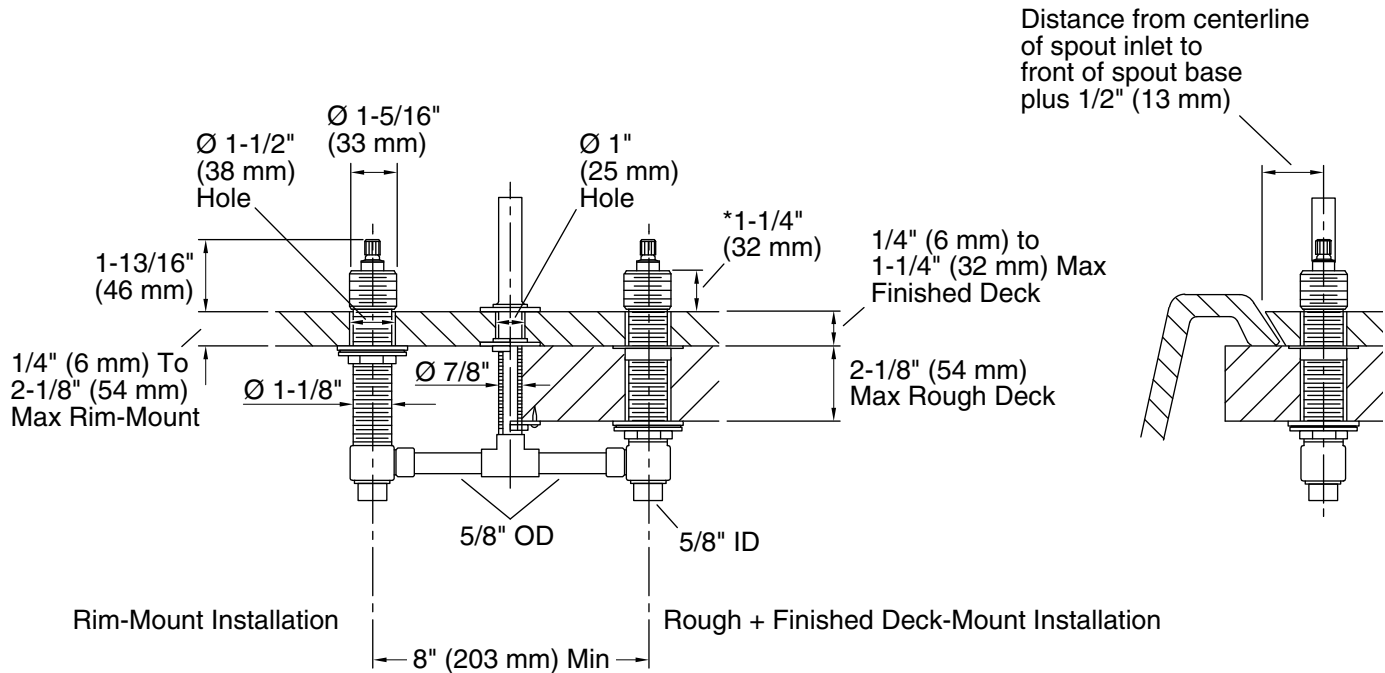
Codes/Standards

ASME A112.18.1/CSA B125.1
IAPMO Certification

KOHLER® Faucet Lifetime Limited Warranty

See website for detailed warranty information.

*Dimension allows $\pm 1/4"$ (6 mm) handle adjustment during handle trim installation.



Technical Information

All product dimensions are nominal.