

### Features

- High-temperature limit setting for added safety
- Temperature-balancing mechanism
- Scald hazard prevention
- Integral service stops
- Crossflow prevention
- 1/2" NPT connections
- Serviceable inlet filter screens
- Single outlet
- Independent temperature volume controls

### Material

- Forged brass valve body

### Installation

- Wall-mount
- Requires K-9663 twin ell (sold separately) when using a diverter spout

### Required Products/Accessories

K-9663

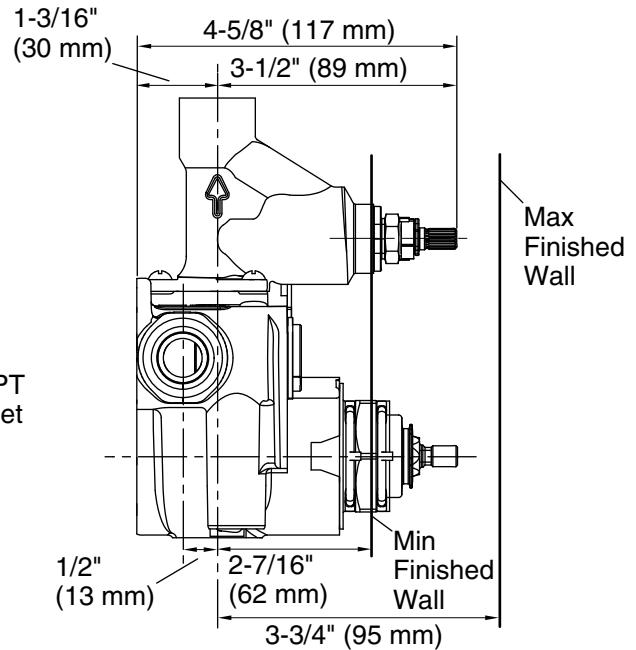
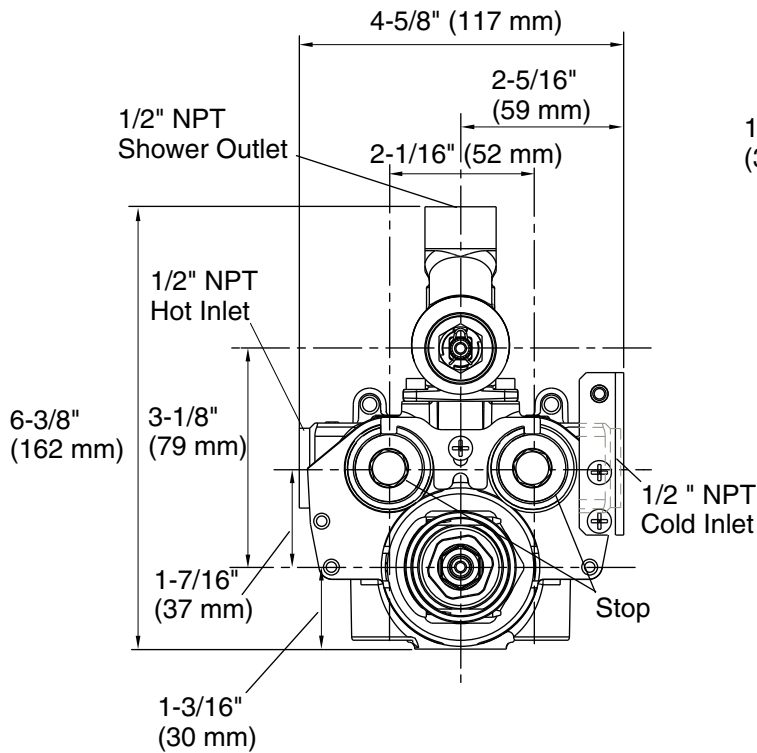


### Codes/Standards

ASME A112.18.1/CSA B125.1  
ASSE 1016/ASME A112.1016/CSA B125.16  
IAPMO Certification

### KOHLER<sup>®</sup> Faucet Lifetime Limited Warranty

See website for detailed warranty information.



### Technical Information

All product dimensions are nominal.

### Notes

Install this product according to the installation instructions.

The K-2973-KS thermostatic mixer valve includes one volume control for shower-only or bath-only installations.

For installations with a diverter spout, a K-9663 twin ell is required between the valve and the spout. The supply to the K-9663 twin ell must run from the top port.