

FEATURES

- Solid brass construction
- Pressure balance cartridge
- Square handshower
- Handshower with 5' double-helix brass hose
- Pull-button on the side of spout
- 1/2" connection
- Featuring "easy-fit" system

FINISHES

- Standard
- Polished Chrome (PC)
- Brush Nickel (BN)
- Electro Black (EBK)


WARRANTY

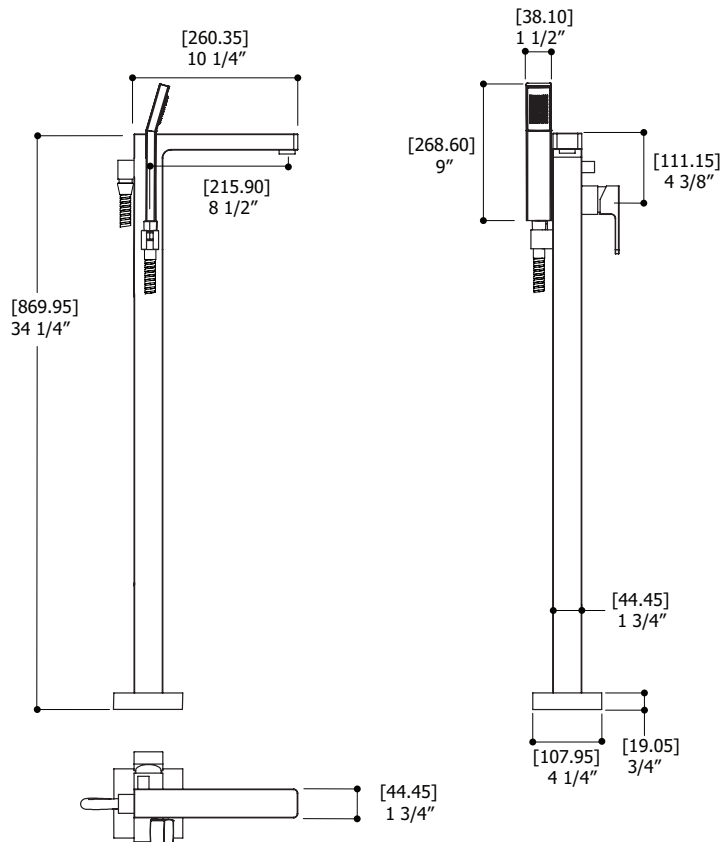
Residential: limited lifetime warranty to original purchaser
 Commercial: two years warranty
 (Complete warranty available at www.aquabrace.com/warranty)

SPECS AT LARGE

Flow rate tub filler: 4.5 gpm
 Flow rate handshower: 2.5 gpm
 Mounting hole: 1 3/8"

CODE & COMPLIANCE

cUPC
 ASME A112.18.1-2018/CSA B125.1-18
 ADA for lever handle 



Aquabrace cannot be held responsible for any technical or typographical errors or omissions contained within this document and reserves the right to make changes without prior notice.