



Marsala™
Cutting Board
K-6515

Features

- Fits over the K-5931 and K-5932 Executive Chef top-mount and tile-in kitchen sinks
- Provides a workstation for quick and easy prep work

Material

- Durable hardwood construction

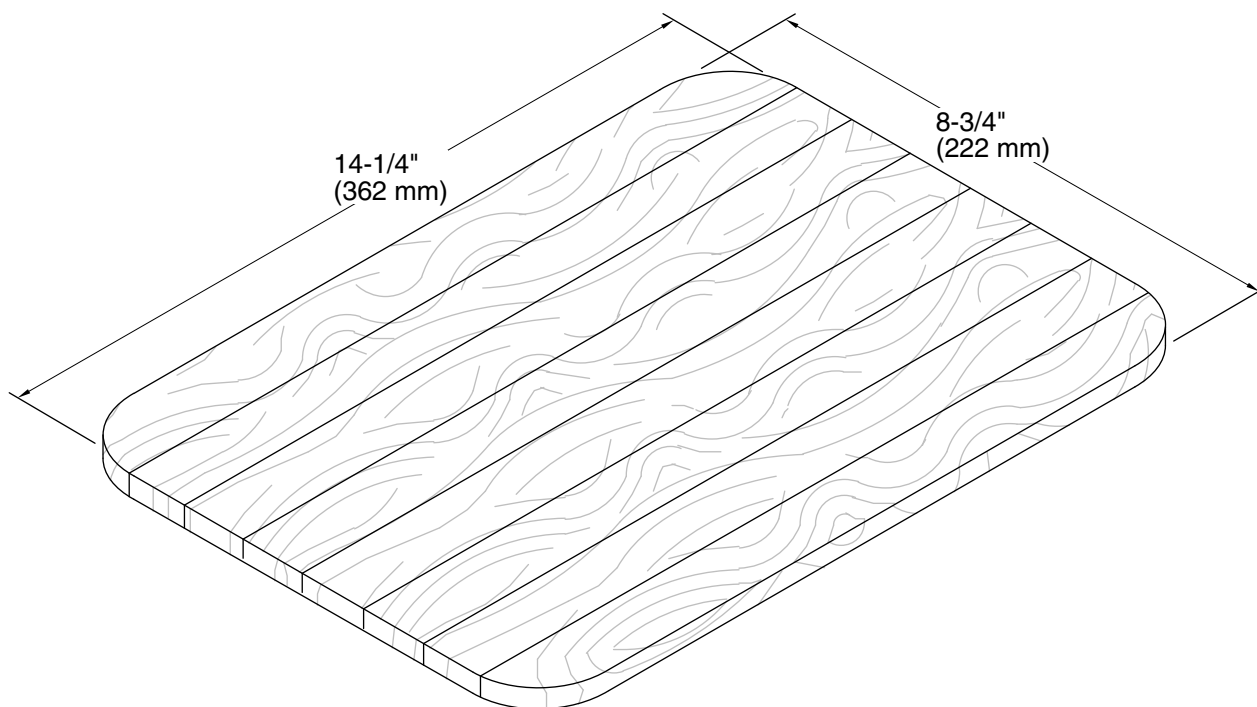


Codes/Standards

EPA TSCA Title VI/CARB P2

**KOHLER® One-Year Limited
Warranty**

See website for detailed warranty information.



Technical Information

All product dimensions are nominal.

Material: Wood