

**Features**

- Two lever handles offer separate control of hot and cold water
- UltraGlide® valves with dry-stem technology are designed to eliminate common leak paths and provide smooth, effortless control
- Includes metal pop-up drain with 1-1/4" (32 mm) tailpiece
- 1.2 gpm (4.5 lpm) maximum flow rate at 60 psi (4.14 bar)

**Material**

- Premium metal construction for durability and reliability
- KOHLER® finishes resist corrosion and tarnishing

**Installation**

- Handles are preassembled on valves to simplify installation
- Coordinates with Pitch® bath and shower trim
- Widespread
- For 8" – 16" (203 – 406 mm) centers

**Recommended Products/Accessories**

- K-23726 Drain treatment
- K-23723 Faucet cleaner



**Codes/Standards**

- ASME A112.18.1/CSA B125.1
- NSF/ANSI/CAN 61
- NSF/ANSI/CAN 372
- All applicable US Federal and State material regulations
- DOE - Energy Policy Act 1992
- EPA WaterSense®
- California Energy Commission (CEC)
- ADA
- ICC/ANSI A117.1
- CSA B651
- OBC
- IAPMO Certification

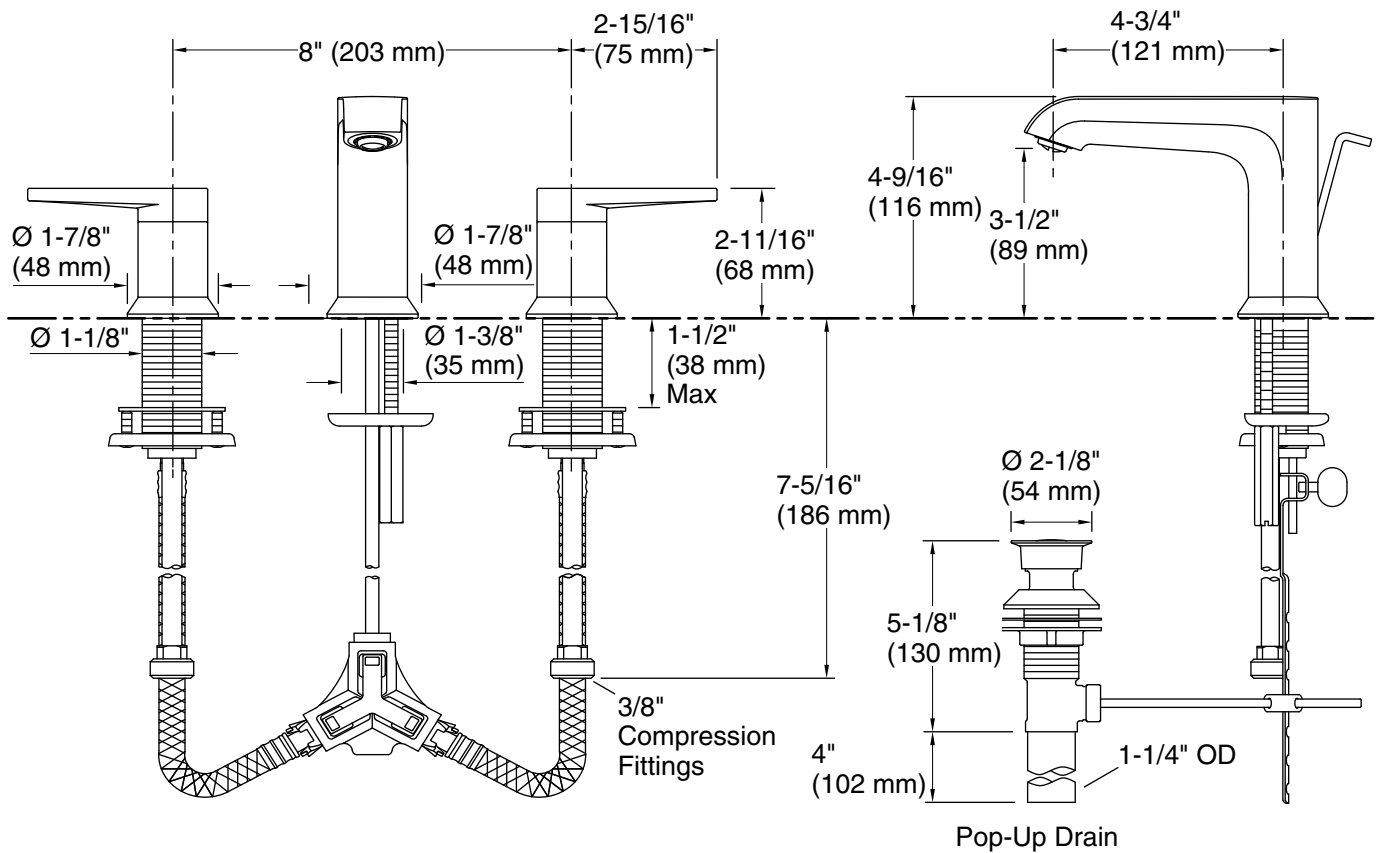
**KOHLER® Faucet Lifetime Limited Warranty**

See website for detailed warranty information.

**Available Colors/Finishes**

*Color tiles intended for reference only.*

Color	Code	Description
	CP	Polished Chrome
	BN	Vibrant® Brushed Nickel
	BL	Matte Black
	2MB	Vibrant® Brushed Moderne Brass



## Technical Information

All product dimensions are nominal.

### Faucet:

Flow rate: 1.2 gal/min (4.5 l/min)

Pressure: 60 psi (4.1 bar)

Drain included: Yes

Drain with overflow: Yes

### Spout:

Spout reach: 4-3/4" (121 mm)

## Notes

Install this product according to the installation instructions.

ADA compliant for handles only.

ADA, OBC, CSA B651 compliant when installed to the specific requirements of these regulations.