

Features

- 1/2" NPT connection
- Sculpted lever handle

Material

- Premium material construction for durability and reliability

Recommended Products/Accessories

K-23723 Faucet cleaner

**Codes/Standards**

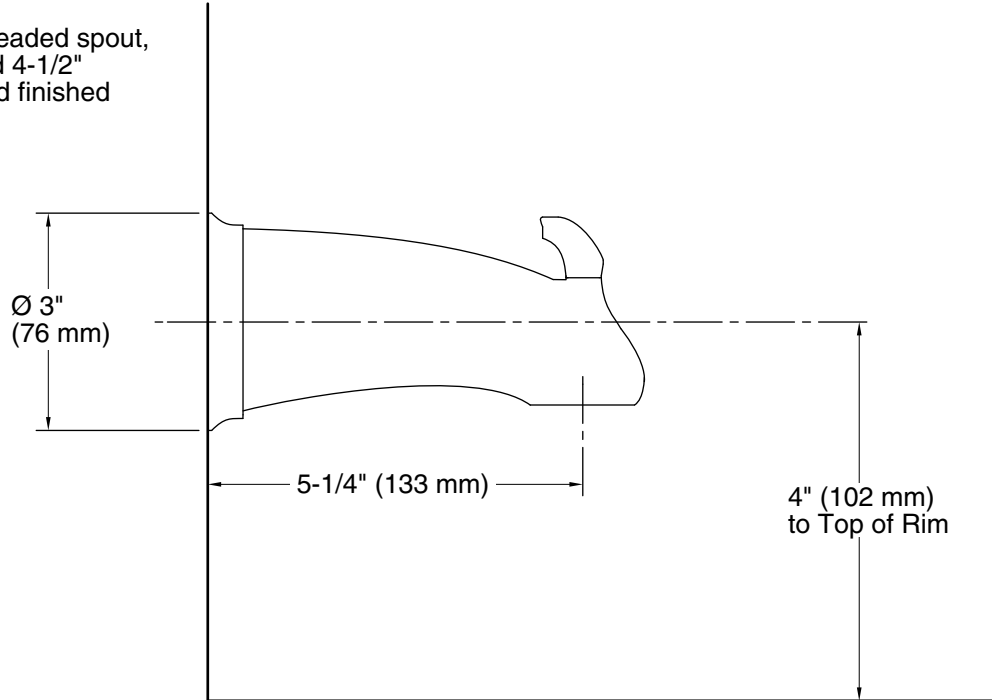
ASME A112.18.1/CSA B125.1

IAPMO Certification

**KOHLER® Faucet Lifetime Limited
Warranty**

See website for detailed warranty information.

For 1/2" NPT threaded spout,
pipe must extend 4-1/2"
(114 mm) beyond finished
wall.



Technical Information

All product dimensions are nominal.

Spout:

Spout reach: 5-1/4" (133 mm)

Notes

Install this product according to the installation guide.

Cap the shower outlet if the deck-mounted spout, diverter, or handshower is connected to the spout outlet.

If installing a K-304 valve, install straight pipe or tube drop of 7" (178 mm) to 18" (457 mm) with single elbow between the valve and the wall-mount spout.