

Features

- Non-diverter spout with slip-fit connection
- 7-13/16" (198 mm) spout reach
- 1-1/4" (31.8 mm) max hole diameter
- Coordinates with other products in the Riff collection

Material

- Premium metal construction for durability and reliability
- KOHLER® finishes resist corrosion and tarnishing

Installation

- Wall-mount

Recommended Products/Accessories

K-27412 Towel ring

K-27413 Pivoting toilet paper holder



Codes/Standards

ASME A112.18.1/CSA B125.1





IAPMO Certification

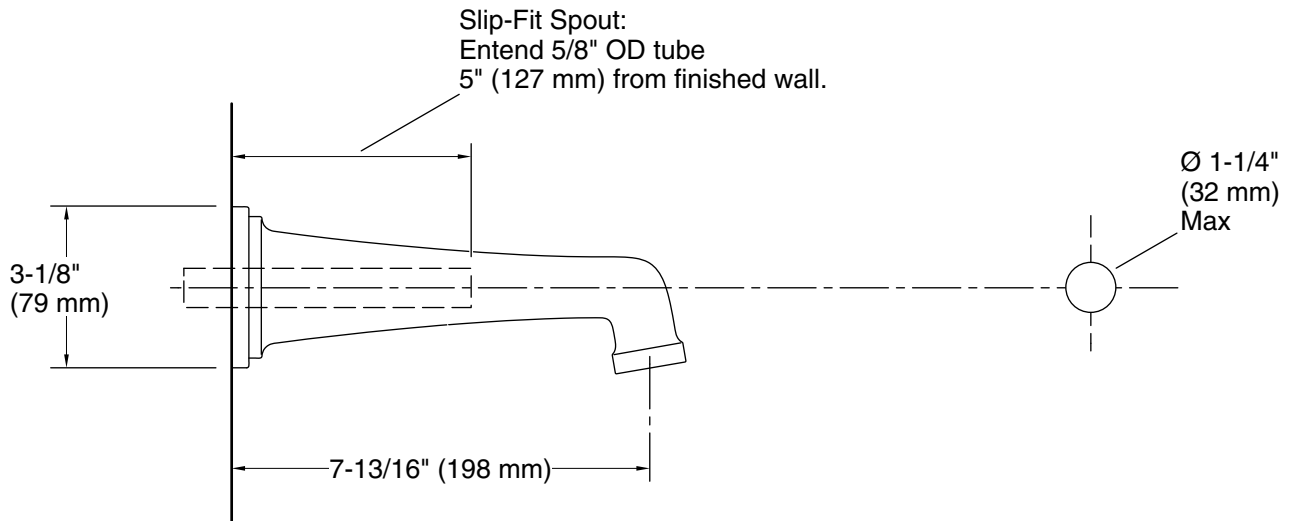
KOHLER® Faucet Lifetime Limited Warranty

See website for detailed warranty information.

Available Colors/Finishes

Color tiles intended for reference only.

Color	Code	Description
	CP	Polished Chrome
	SN	Vibrant® Polished Nickel
	BN	Vibrant® Brushed Nickel
	BL	Matte Black
	2MB	Vibrant® Brushed Moderne Brass



Technical Information

All product dimensions are nominal.

Drain included: No

Spout:

Spout reach: 7-13/16" (198 mm)

Notes

Install this product according to the installation instructions.