

# KOHLER® Faucets

Wall-mount bath spout with diverter, slip-fit connection

**Forté®**  
**K-10281-4**

## Features

- 5-1/4" diverter spout with slip-fit connection
- For bath and shower faucets with sculpted lever handle and slip-fit spout
- Coordinates with the Forté collection of faucets and accessories

## Material

- Premium metal construction for durability and reliability
- KOHLER® finishes resist corrosion and tarnishing

## Installation

- Bath- or deck-mount
- Wall-mount

## Recommended Products/Accessories

K-23723 Faucet cleaner



## Codes/Standards

ASME A112.18.1/CSA B125.1  
IAPMO Certification

## KOHLER® Faucet Lifetime Limited Warranty

See website for detailed warranty information.

1-800-4KOHLER (1-800-456-4537)

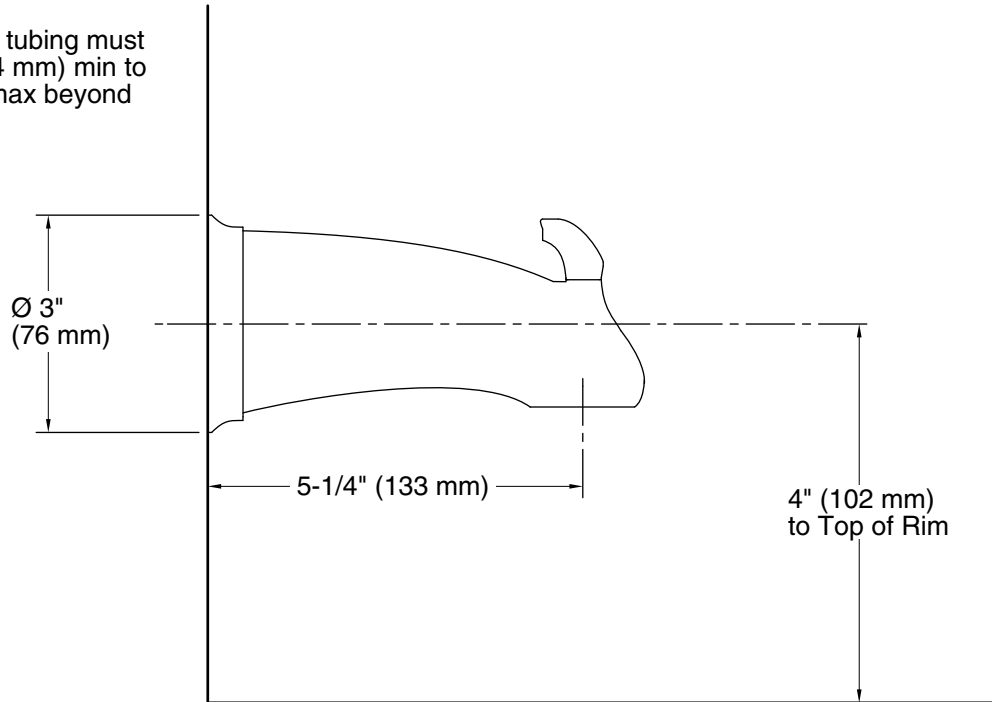
Kohler Co. reserves the right to make revisions without notice to product specifications.

For the most current Specification Sheet, go to [www.kohler.com](http://www.kohler.com).USA

1-24-2024 19:58 - US

THE BOLD LOOK  
OF **KOHLER®**

For slip-fit spout, tubing must extend 2-1/8" (54 mm) min to 3-1/2" (89 mm) max beyond finished wall.



**Technical Information**

All product dimensions are nominal.

Drain included: No

**Spout:**

Spout reach: 5-1/4" (133 mm)

**Notes**

Install this product according to the installation guide.

Cap the shower outlet if the deck-mounted spout, diverter, or handshower is connected to the spout outlet.

If installing a K-304 valve, install straight pipe or tube drop of 7" (178 mm) to 18" (457 mm) with single elbow between the valve and the wall-mount spout.