

Features

- Diverter spout with slip-fit connection
- 6-1/16" (154 mm) spout reach
- 1-1/4" (31.8 mm) max hole diameter
- Coordinates with other products in the Riff collection

Material

- Premium metal construction for durability and reliability
- KOHLER® finishes resist corrosion and tarnishing

Installation

- Wall-mount

Recommended Products/Accessories

K-27412 Towel ring

K-27413 Pivoting toilet paper holder



Codes/Standards

ASME A112.18.1/CSA B125.1

California Energy Commission (CEC)






IAPMO Certification

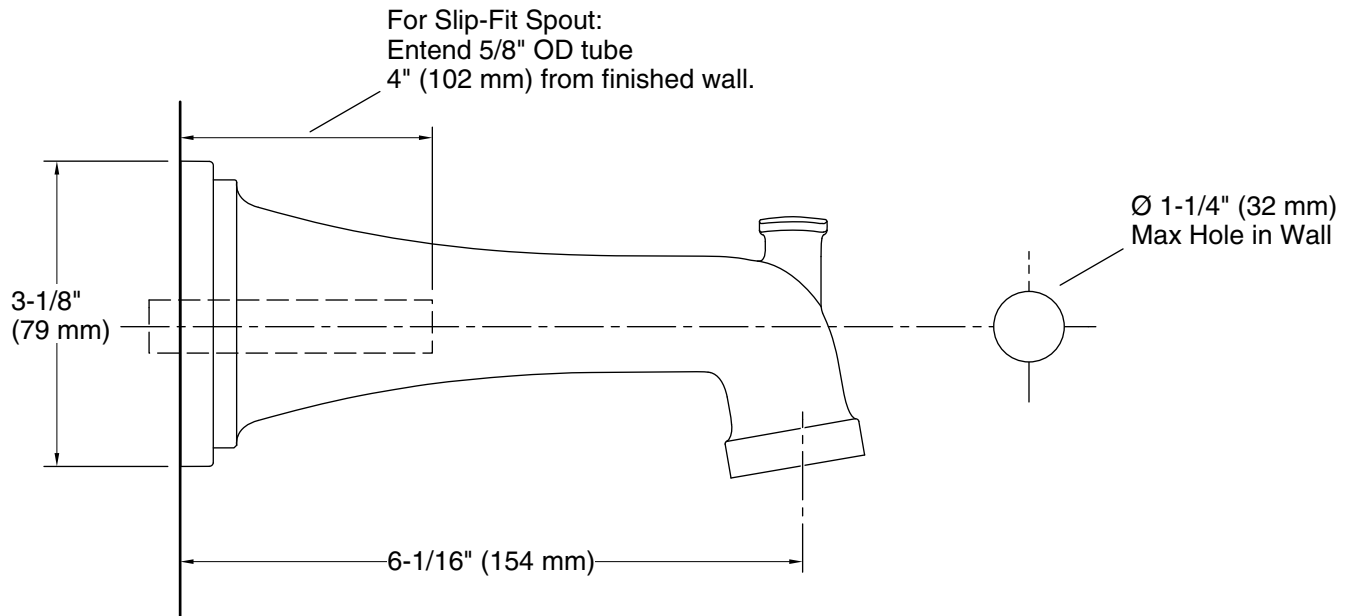
KOHLER® Faucet Lifetime Limited Warranty

See website for detailed warranty information.

Available Colors/Finishes

Color tiles intended for reference only.

| Color | Code | Description |
|---|------|--------------------------------|
|  | CP | Polished Chrome |
|  | SN | Vibrant® Polished Nickel |
|  | BN | Vibrant® Brushed Nickel |
|  | BL | Matte Black |
|  | 2MB | Vibrant® Brushed Moderne Brass |



Technical Information

All product dimensions are nominal.

Drain included: No

Spout:

Spout reach: 6-1/16" (154 mm)