

Features

- Two lever handles offer separate control of hot and cold water
- 6-1/2" (165 mm) nondiverter spout
- KOHLER® ceramic disc valves exceed industry longevity standards for a lifetime of durable performance
- Coordinates with Kelston faucets, accessories, and showering components to complete your bathroom
- Trim only, requires valve to complete installation

Material

- Premium metal construction for durability and reliability
- KOHLER® finishes resist corrosion and tarnishing

Installation

- Deck- or bath-mount

Required Products/Accessories

K-300-K High Flow Bath Valve

or

K-300-KR High Flow Valve w/ Rigid Connections

or

K-301-K 3/4" high-flow bath valve

Recommended Products/Accessories

K-23723 Faucet cleaner

K-13500 18" Towel Bar

K-13501 24" Towel Bar

K-13504 Pivoting toilet paper holder

K-13505 Robe Hook

K-13507 Towel Ring

Optional Products/Accessories

1071648 Deep Rough-in Kit



ADA

CSA B651

OBC

Codes/Standards

ASME A112.18.1/CSA B125.1

ADA

ICC/ANSI A117.1

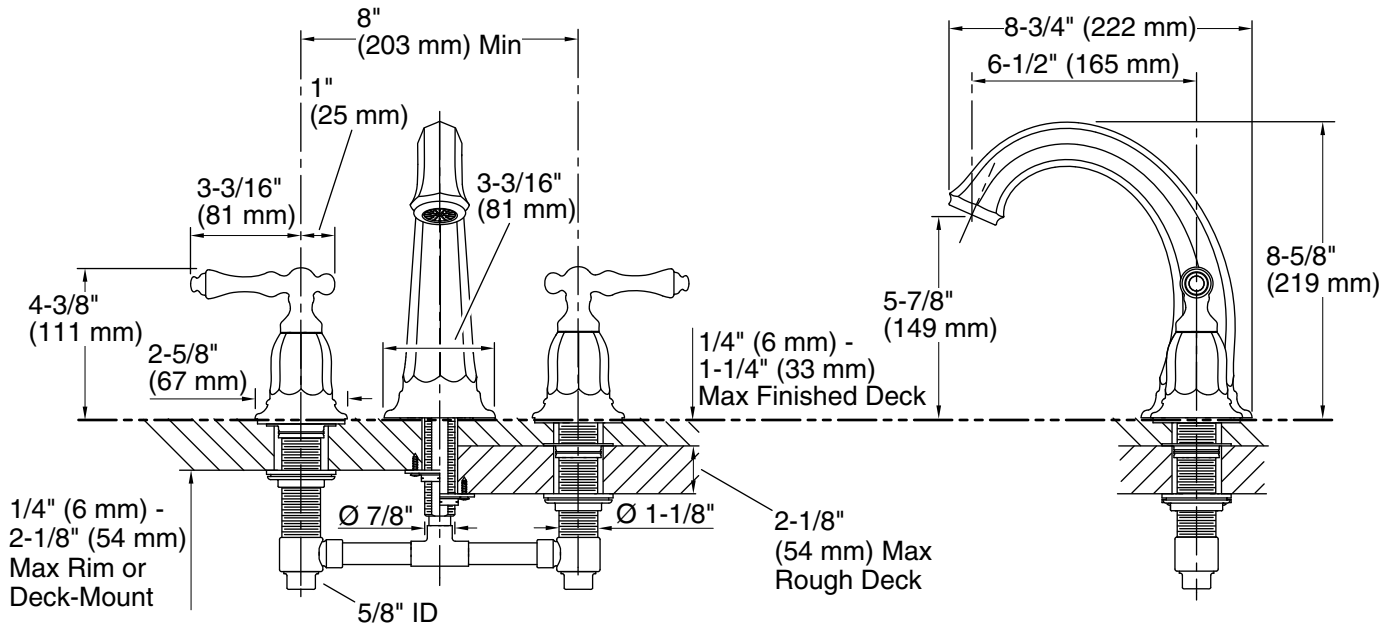
CSA B651

OBC

IAPMO Certification

KOHLER® Faucet Lifetime Limited Warranty

See website for detailed warranty information.



Rim or Deck-Mount
Installation

Rough + Finished
Deck-Mount Installation

Technical Information

All product dimensions are nominal.

Drain included: No

Notes

Install this product according to the installation instructions.

ADA, OBC, CSA B651 compliant when installed to the specific requirements of these regulations.