

Features

- Two lever handles offer separate control of hot and cold water
- 7-1/2" (191 mm) spout reach with slip-fit connection and diverter knob
- Coordinates with other products in the Riff collection
- Trim only, requires valve to complete installation

Material

- Premium metal construction for durability and reliability
- KOHLER® finishes resist corrosion and tarnishing

Installation

- Deck- or bath-mount

Required Products/Accessories

K-438-K High-Flow Bath Valve with Diverter

Recommended Products/Accessories

- K-23723 Faucet cleaner
- K-29477 Deck-mount handshower holder with hose
- K-21335-G Round two-function handshower, 1.75 gpm
- K-21336-G Square two-function handshower, 1.75 gpm
- K-27412 Towel ring
- K-27413 Pivoting toilet paper holder



ADA CSA B651 OBC

Codes/Standards



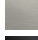

ASME A112.18.1/CSA B125.1
ADA
ICC/ANSI A117.1
CSA B651
OBC
IAPMO Certification

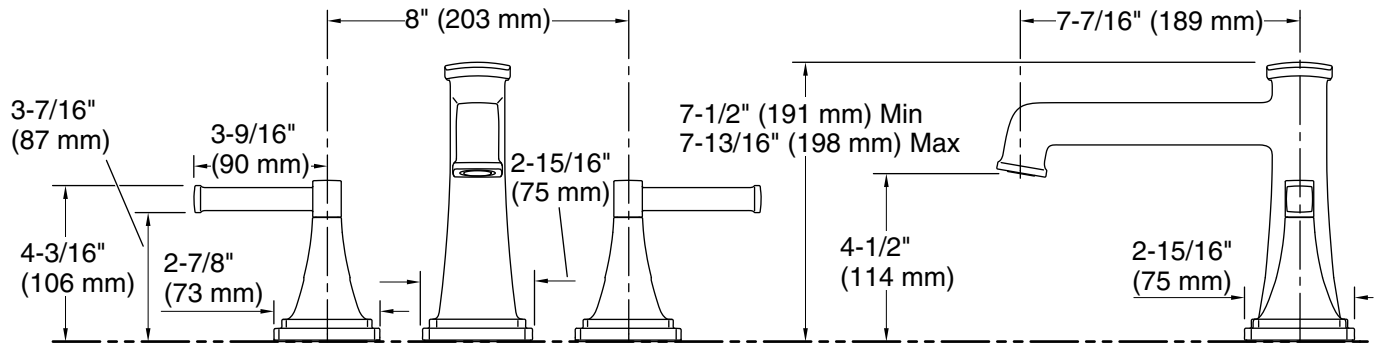
KOHLER® Faucet Lifetime Limited Warranty

See website for detailed warranty information.

Available Colors/Finishes

Color tiles intended for reference only.

Color	Code	Description
	CP	Polished Chrome
	SN	Vibrant® Polished Nickel
	BN	Vibrant® Brushed Nickel
	BL	Matte Black
	2MB	Vibrant® Brushed Moderne Brass



Technical Information

All product dimensions are nominal.

Drain included: No

Notes

Install this product according to the installation instructions.

ADA, OBC, CSA B651 compliant when installed to the specific requirements of these regulations.