



Strive®
Sink rack for Strive® kitchen sink
K-5411

Features

- Included with the K-5283-NA Strive kitchen sink
- Helps protect sink surface from daily wear
- Dishwasher-safe
- Rubber feet provide added protection

Material

- Durable stainless steel construction

Recommended Products/Accessories

K-23729 Stainless steel cleaner



Codes/Standards

None Applicable


**KOHLER® One-Year Limited
Warranty**

See website for detailed warranty information.

Available Colors/Finishes

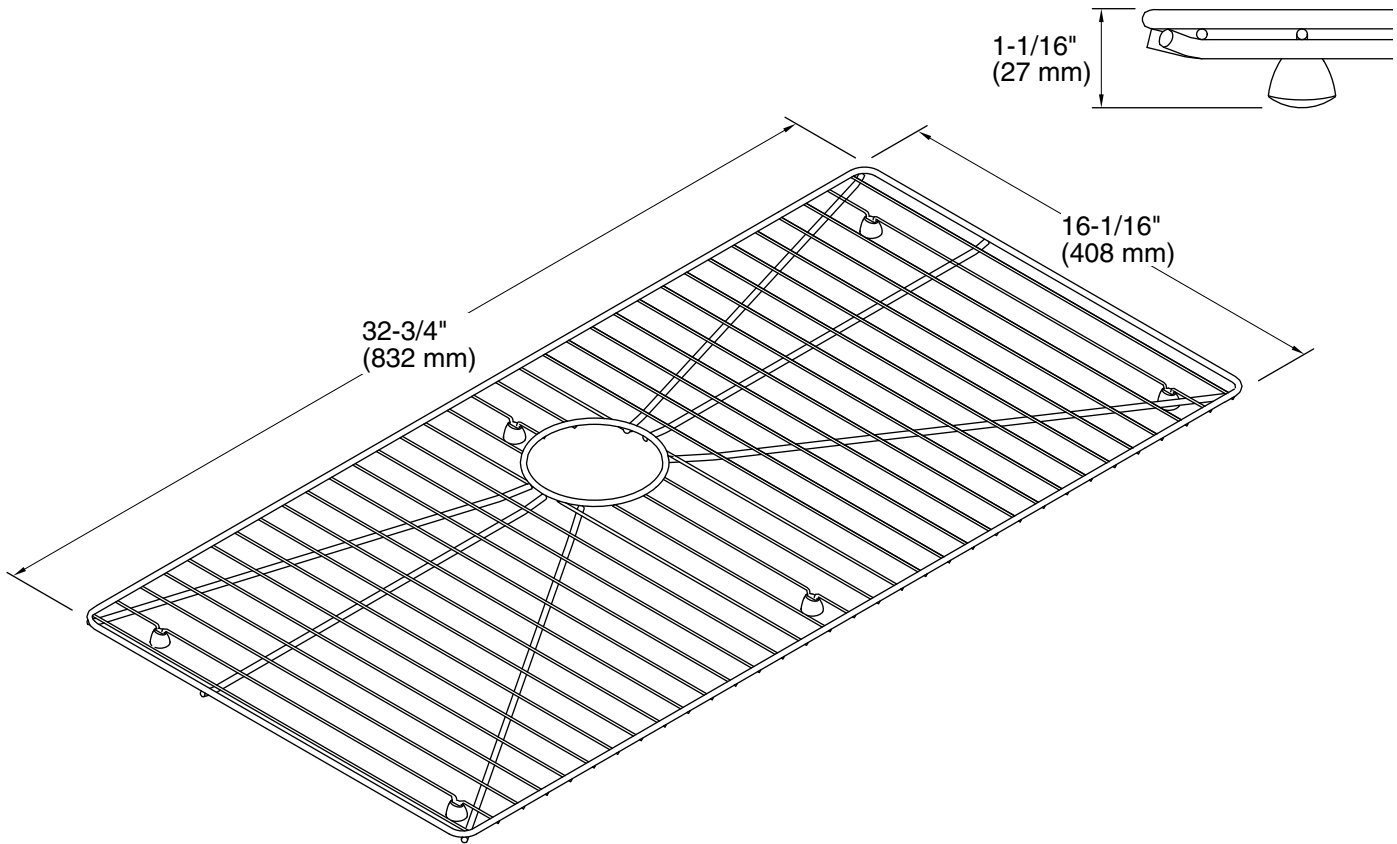
Color tiles intended for reference only.

Color Code Description

	ST	Stainless Steel
---	----	-----------------



Strive®
Sink rack for Strive® kitchen sink
K-5411



Technical Information

All product dimensions are nominal.

Material: Stainless Steel