

Features

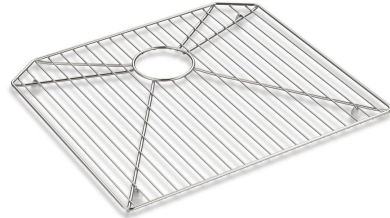
- Included with the K-5282-NA Strive kitchen sink
- Helps protect sink surface from daily wear
- Dishwasher-safe
- Rubber feet provide added protection

Material

- Durable stainless steel construction

Recommended Products/Accessories

- K-5282 35-1/2" undermount double-bowl kitchen sink
- K-23729 Stainless steel cleaner



Codes/Standards


None Applicable

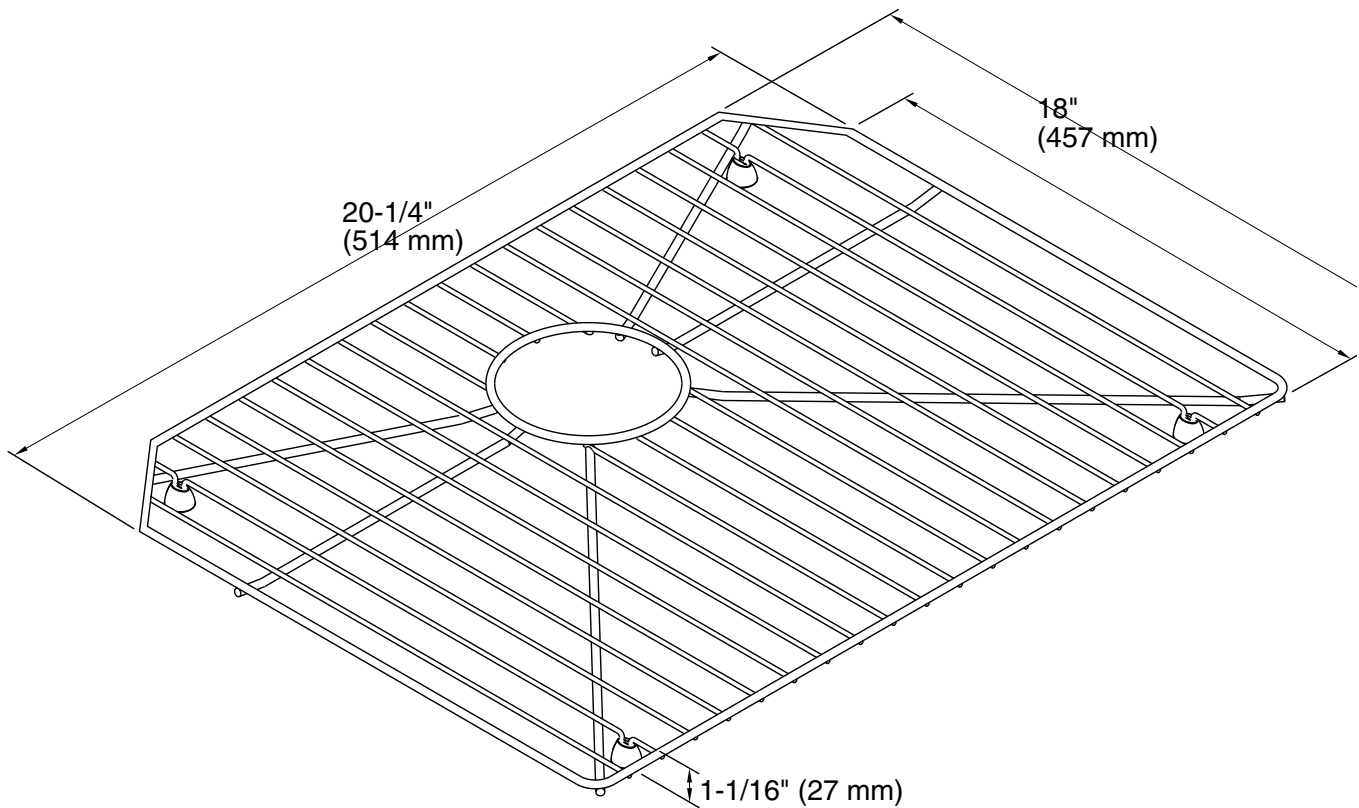
KOHLER® One-Year Limited Warranty

See website for detailed warranty information.

Available Colors/Finishes

Color tiles intended for reference only.

Color	Code	Description
	ST	Stainless Steel



Technical Information

All product dimensions are nominal.

Material: Stainless Steel