

# GEBERIT INSTALLATION SYSTEM

## For 1.6/0.8 GPF (6/3 LPF) and 1.28/0.8 GPF (4.8/3 LPF) Wall-Hung Toilets, 2x6 Installations

### PRODUCT SPECIFICATIONS

In-Wall Duofix carrier system and Sigma concealed tank with actuator flush panel or pneumatic push button for washdown wall-hung toilets. System shall fit within minimum 5½" (146 mm) framing wall or plumbing chase, with wood construction or steel framing members placed 19¾" (500 mm) apart. Framing members should be capable of supporting a 880 pound (400 kg) load without damage to the wall. Water supply shall have flow diameter no smaller than 1/2" (13 mm) copper tube, and a minimum flow pressure of 2 PSI (0.01 MPa). The toilet bowl shall be a third party listed, 2-hole wall-hung 1.6 GPF (6 LPF) or 1.28 GPF (4.8 LPF) single-flush, 1.6/0.8 GPF (6/3 LPF) or 1.28/0.8 GPF (4.8/3 LPF) dual-flush. The carrier frame shall be adjustable for bowl rim heights from 15" to 19" (381 to 483 mm). Actuator flush panels shall be diecast zinc, molded plastic or fabricated stainless steel and plated to preserve material integrity. All components shall be compliant with applicable codes and product standards.

### FEATURES

- Water consumption – Dual-flush system, 1.6/0.8 GPF (6/3 LPF) or 1.28/0.8 GPF (4.8/3 LPF)
- Anti-siphon fill valve
- Impact resistant high density polyethylene (HDPE) tank, insulated to prevent condensation
- 16-gauge, powder-coated, structural-steel tubing rated to 880 lbs. (400 kg) without damage to finished wall or carrier unit
- Bowl rim height adjustments from 15" to 19" (381 to 483 mm)
- 49" (1245 mm) frame height
- For finished walls up to 3½" (9cm) thick
- For use with Geberit Sigma actuator plates (not included)
- Includes installation and rough-in materials

Complies with the latest editions of:

- ASME: A112.6.2, A112.19.5, A112.19.14
- ANSI Z124.4
- CSA B125.3
- ANSI/ASSE 1002
- IAPMO PS-50
- UNAR / UNAR-HET
- ASME A112.19.2
- This concealed tank is WaterSense® listed or compliant when used in combination with the toilet bowl models listed on page 3 of this DOCUMENT.
- State of Massachusetts listed

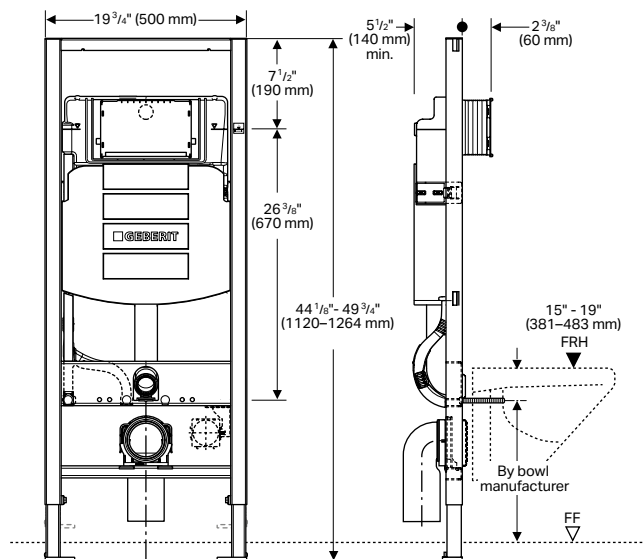
### WARRANTY

Limited lifetime warranty on tank and carrier, 10-year warranty on fill valve and flush valve. One-year warranty on actuator flush plates.

Products marked with comply with the American Disabilities Act (ADA) when installed per the requirements of the latest ADA Accessibility Guidelines (ADAAG) and/or ICC/ANSI A117.1.

Where water closet grab bars are required and corresponding reinforcement provided as outlined in the latest NYC Building Code and Federal FHA Guidelines, the installed product complies both for grab bars installed at the time of initial construction as well as for grab bars planned for future installation.

| Model No.    | Description                                          |  |
|--------------|------------------------------------------------------|--|
| 111.335.00.5 | Carrier frame with 1.60/0.8 GPF Sigma Concealed Tank |  |
| 111.902.00.5 | Carrier frame with 1.28/0.8 GPF Sigma Concealed Tank |  |



**ARCHITECT/ENGINEER APPROVAL**

Job Name: \_\_\_\_\_

Date: \_\_\_\_\_ Quantity: \_\_\_\_\_

Model Specified: \_\_\_\_\_

Variations Specified: \_\_\_\_\_

Customer/Wholesaler: \_\_\_\_\_

Contractor: \_\_\_\_\_

Architect: \_\_\_\_\_

# GEBERIT INSTALLATION SYSTEM

For 1.6/0.8 GPF (6/3 LPF) and 1.28/0.8 GPF (4.8/3 LPF) Wall-Hung Toilets, 2x6 Installations

## COMPATIBLE 1.6/0.8 GPF (6/3 LPF) WALL-HUNG TOILET BOWL MODELS

| Brand Name    | Model Number*   | Model Name      | Brand Name         | Model Number*       | Model Name              | Brand Name         | Model Number*      | Model Name   |
|---------------|-----------------|-----------------|--------------------|---------------------|-------------------------|--------------------|--------------------|--------------|
| Blu           | LW6008          | Coco            | Duravit            | 252959              | ME by Starck            | Laufen             | 8.2096.2           | Laufen Pro S |
| Bathworks     | LW6020          | Metrix          | (continued)        | 253009              | ME by Starck            | (continued)        | 8.2096.3**         | Laufen Pro S |
|               | LW6030          | Coco            |                    | 256109              | P3 Comforts             |                    | 8.2068.0           | LB3          |
| Devon & Devon | LW6030A         | Coco            | 256159             | P3 Comforts         | 8.2068.8***             | LB3                |                    |              |
|               | IBWCSBLUES      | Blues           | 221909             | PuraVida            | 8.2043.5****            | Living             |                    |              |
|               | IBWCSET         | Etoile          | 021009             | Starck 1            | 8.2043.9**              | Living             |                    |              |
|               | 2IBWCBSSET      | Etoile          | 016009             | Starck 2            | 8.2055.0                | Mimo               |                    |              |
|               | IBWCSET         | New Etoile      | 253309             | Starck 2            | 8.2094.6                | Mylife             |                    |              |
| Duravit       | 2IBWCBSSET      | New Etoile      | 253359             | Starck 2            | 8.2094.8                | Mylife             |                    |              |
|               | IBWCSRO         | Rose            | 253409             | Starck 2            | 8.2070.8                | Palace             |                    |              |
|               | 018209          | 1930 Series     | 220009             | Starck 3            | 8.2080.1                | Palomba            |                    |              |
|               | 220509          | 2nd Floor       | 220109             | Starck 3            | 8.2080.8**              | Palomba            |                    |              |
|               | 222009          | 2nd Floor       | 222509             | Starck 3            | Neo-Metro               | 8951               | Euro-Urban Contour |              |
|               | 017509          | Bathroom_Foster | 222009             | Starck 3 compact    | 8957                    | Metaal             |                    |              |
|               | 015609          | Caro            | 222709             | Starck 3 compact    | 8952                    | miniLoo            |                    |              |
|               | 019809          | Caro            | 252709             | Starck 3            | ROCA                    | 346768             | Armani             |              |
|               | 019849          | Caro            | 222609             | Starck 3            | 346518                  | Dama Senso         |                    |              |
|               | 221109          | D-Code          | 222659             | Starck 3            | 346468                  | Giralda            |                    |              |
|               | 253509          | D-Code          | 220309             | Starck 3 extra long | 346628                  | Hall               |                    |              |
|               | 220909          | D-Code          | 220609             | Starck 3            | 346568                  | Happening          |                    |              |
|               | 222309          | D-Code          | 221509             | Starck 3            | TOTO                    | CT418FG            | Aquia              |              |
|               | 020709          | Darling         | 220409             | Starck X            | CT486FG                 | Maris              |                    |              |
|               | 254509          | Darling New     | 221709             | Vero                | Tynan Plumbing          | 7531.XX            | Aine               |              |
|               | 255709          | Darling New     | DXV                | 47010-11            | Seagram                 | 7532.XX            | Fionn              |              |
|               | 254409          | Darling New     | Icera              | C-6610              | Clarity                 | Villeroy & Boch    | 6612-YY-XX         | Aveo         |
|               | 254459          | Darling New     | C-2340             | Metro Loft          | C-2370                  | 4684-YY-XX**       | Architectura       |              |
|               | 256309          | Darling New     |                    | Piano               |                         | 4688-UR-XX**       | Architectura       |              |
|               | 256359          | Darling New     | Kallista           | P70361-00           | Pléo                    | 5664-YY-XX         | Bellevue           |              |
|               | 253609          | DuraStyle       | Kohler             | K-6299              | Veil                    | 6653-YY-XX         | Century            |              |
|               | 253709**        | DuraStyle       | K-6300             | Veil for Bidet Seat | Lacava                  | 6665-YY-XX         | Editorials         |              |
|               | 253809          | DuraStyle       |                    | Aquagrande          |                         | 6661-10-XX         | Hommage            |              |
|               | 253909          | DuraStyle       | 5051WC             | Giulia              | 5627-YY-XX              | La Belle           |                    |              |
|               | 254009          | DuraStyle       | 4278               | Piazza              | 7631-YY-XX              | Magnum             |                    |              |
|               | 254109          | DuraStyle       | 6058               | Suave               | 5628-YY-XX              | Memento            |                    |              |
|               | 253759          | DuraStyle       | 2958               | Tre                 | 6664-YY-XX              | Oblic              |                    |              |
| 254209        | DuraStyle       | Laufen          | 8.2090.0           | Alessi dOt          | 5684-YY-XX              | Ornia Architectura |                    |              |
| 254259        | DuraStyle       | 8.2090.8        | Alessi dOt         | 5674-YY-XX          | Ornia Architectura      |                    |                    |              |
| 255109        | DuraStyle       | 8.2097.6        | Alessi One         | 5678-YY-XX          | Ornia Architectura Vita |                    |                    |              |
| 255209        | DuraStyle       | 8.2097.8        | Alessi One         | 5670-YY-XX          | Pure Stone              |                    |                    |              |
| 255909        | DuraStyle       | 8.2067.1        | Form               | 5622-YY-XX          | Sentique                |                    |                    |              |
| 256209****    | DuraStyle Basic | 8.2066.1**      | Hi Jet             | 6661-YY-XX          | Strada                  |                    |                    |              |
| 255409        | Esplanade       | 8.2033.8        | Kartell            | 4609-UR-XX**        | Subway                  |                    |                    |              |
| 017109        | Happy D         | 8.2033.6        | Kartell            | 6600-YY-XX          | Subway                  |                    |                    |              |
| 222109***     | Happy D.2       | 8.2033.1        | Kartell            | 5600-YY-XX          | Subway 2.0              |                    |                    |              |
| 222209        | Happy D.2       | 8.2095.0***     | Laufen Pro         | 5614-XX             | Subway                  |                    |                    |              |
| 255009        | Happy D.2       | 8.2096.9        | Laufen Pro         |                     |                         |                    |                    |              |
| 255059        | Happy D.2       | 8.2095.6***     | Laufen Pro         |                     |                         |                    |                    |              |
| 252909        | ME by Starck    | 8.2095.2        | Laufen Pro Compact |                     |                         |                    |                    |              |

## COMPATIBLE 1.28/0.8 GPF (4.8/3 LPF) WALL-HUNG TOILET BOWL MODELS

| Brand Name | Model Number*  | Model Name  |
|------------|----------------|-------------|
| TOTO       | CT437FG****    | MH          |
|            | CT437FGT20**** | MH Connect+ |

- \* Consult toilet manufacturers for up-to-date model numbers and availability.
- \*\* Meets 600 grams MaP performance score according to Maximum Performance (MaP) of Toilet Fixture list, version 03/10/2018.
- \*\*\* Meets 800 grams MaP performance score according to Maximum Performance (MaP) of Toilet Fixture list, version 03/10/2018.
- \*\*\*\* Meets 800 grams MaP performance score self-attested by manufacturer.

# GEBERIT INSTALLATION SYSTEM

For 1.6/0.8 GPF (6/3 LPF) and 1.28/0.8 GPF (4.8/3 LPF) Wall-Hung Toilets, 2x6 Installations

## WATERSENSE LISTED EPA HIGH EFFICIENCY COMPATIBLE 1.6/0.8 GPF (6/3 LPF) WALL-HUNG TOILET BOWL MODELS



| Brand Name | Model Number* | Model Name          | Brand Name     | Model Number* | Model Name              |
|------------|---------------|---------------------|----------------|---------------|-------------------------|
| Duravit    | 220509        | 2nd Floor           | DXV            | 47010-11      | Seagram                 |
|            | 222009        | 2nd Floor           | Kohler         | K-6299        | Veil                    |
|            | 015609        | Caro                |                | K-6300        | Veil                    |
|            | 220909        | D-Code              | Laufen         | 8.2090.0      | Alessi dOt              |
|            | 020709        | Darling             |                | 8.2097.6      | Alessi One              |
|            | 254409        | Darling New         |                | 8.2095.6***   | Laufen Pro              |
|            | 254459        | Darling New         |                | 8.2094.6      | Mylife                  |
|            | 254509        | Darling New         | Lacava         | 5051WC        | Giulia                  |
|            | 255709        | Darling New         | TOTO           | CT418FG       | Aquia                   |
|            | 253709**      | DuraStyle           |                | CT486FG       | Maris                   |
|            | 253809        | DuraStyle           | Tynan Plumbing | 7531.XX       | Aine                    |
|            | 254209        | DuraStyle           |                | 7532.XX       | Fionn                   |
|            | 254259        | DuraStyle           | Villeroy       | 6612-YY-XX    | Aveo                    |
|            | 256209        | DuraStyle Basic     | & Boch         | 5664-YY-XX    | Bellevue                |
|            | 255409        | Esplanade           |                | 6653-YY-XX    | Century                 |
|            | 017509        | Bathroom_Foster     |                | 6661-YY-XX    | Hommage                 |
|            | 017109        | Happy D             |                | 5627-YY-XX    | La Belle                |
|            | 222109***     | Happy D.2           |                | 5628-YY-XX    | Memento                 |
|            | 255009        | Happy D.2           |                | 6664-YY-XX    | Oblic                   |
|            | 255059        | Happy D.2           |                | 4688-UR-XX**  | Architectura            |
|            | 221909        | PuraVida            |                | 5674-YY-XX    | Omnia Architectura      |
|            | 021009        | Starck 1            |                | 5678-YY-XX    | Omnia Architectura Vita |
|            | 016009        | Starck 2            |                | 5670-YY-XX    | Pure Stone              |
|            | 253309        | Starck 2            |                | 5622-YY-XX    | Sentique                |
|            | 253359        | Starck 2            |                | 4609-UR-XX    | Subway                  |
|            | 253409        | Starck 2            |                | 5600-YY-XX    | Subway 2.0              |
|            | 220009        | Starck 3            |                | 5614-XX       | Subway                  |
|            | 220209        | Starck 3 compact    |                | 6600-YY-XX    | Subway                  |
|            | 220309        | Starck 3 extra long |                |               |                         |
|            | 222659        | Starck 3            |                |               |                         |
|            | 222709        | Starck 3 compact    |                |               |                         |
|            | 252709        | Starck 3            |                |               |                         |
|            | 220409        | Starck X            |                |               |                         |
|            | 221709        | Vero                |                |               |                         |

## WATERSENSE LISTED EPA HIGH EFFICIENCY COMPATIBLE 1.28/0.8 GPF (4.8/3 LPF) WALL-HUNG TOILET BOWL MODELS



| Brand Name | Model Number* | Model Name  |
|------------|---------------|-------------|
| TOTO       | CT437FG****   | MH          |
|            | CT437FGT2**** | MH Connect+ |

- \* Consult toilet manufacturers for up-to-date model numbers and availability.
- \*\* Meets 600 grams MaP performance score according to Maximum Performance (MaP) of Toilet Fixture list, version 03/10/2018.
- \*\*\* Meets 800 grams MaP performance score according to Maximum Performance (MaP) of Toilet Fixture list, version 03/10/2018.
- \*\*\*\* Meets 800 grams MaP performance score self-attested by manufacturer.

**Geberit**  
2100 S. Clearwater Drive  
Des Plaines, IL 60018  
USA

**P 847-803-7777**  
**F 847-803-5454**

**www.geberit.us**