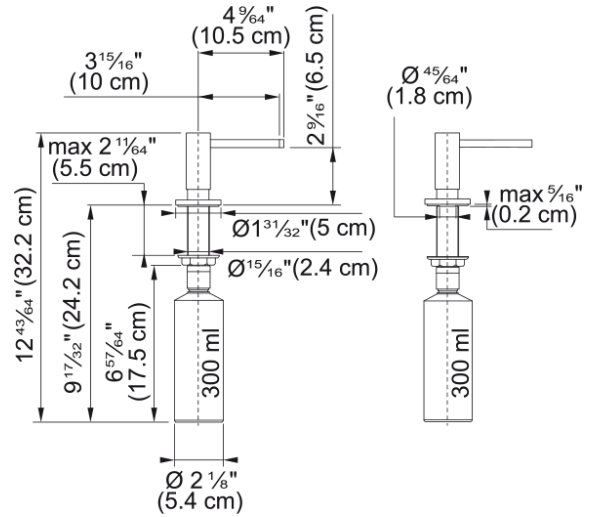


Active Soap Dispenser - ACT-SD-MBK | 119.0547.906



Technical Data

Aspect

| | |
|------------------|----------------|
| Type of material | Brass |
| Color | Matte black |
| Accessory type | Soap dispenser |

Product identification

| | |
|----------------|--------|
| Product family | None |
| Collection | Active |