



# Vault™

## 23" top-/undermount single-bowl kitchen sink

### K-80170-1

#### Features

- 26" (660 mm) minimum base cabinet width
- Single bowl
- 9" (229 mm) depth provides generous workspace
- Single faucet hole
- Rear drain placement increases cabinet storage space underneath sink
- Includes installation hardware
- Includes sink drain and strainer

#### Material

- Handcrafted from 18-gauge stainless steel

#### Installation

- Top-mount or undermount

#### Recommended Products/Accessories

K-23996 sink rack for K-80170

#### Optional Products/Accessories

K-11352 Disposal Flange with Stopper

#### Included Components

1177160 Hardware Kit, Self-Rimming  
7400 Stainless Steel Sink Drain and Strainer

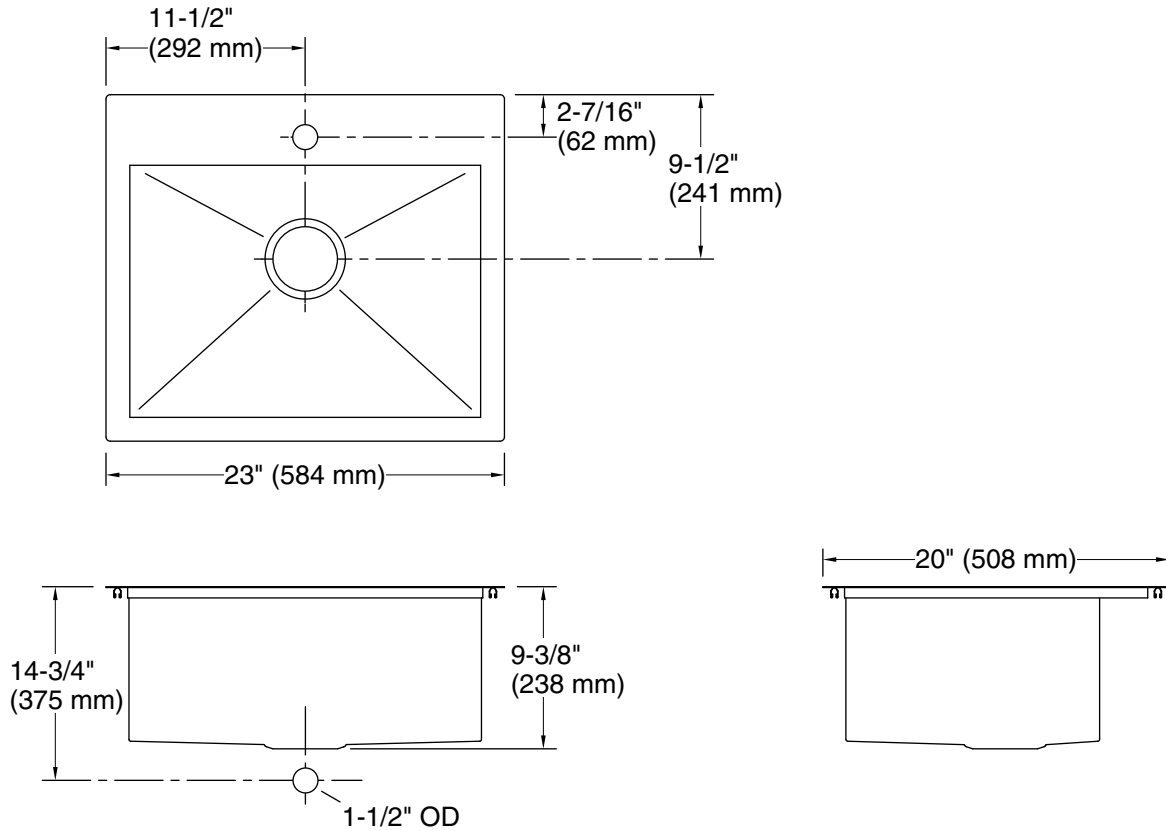


#### Codes/Standards

ASME A112.19.3/CSA B45.4

#### Lifetime Limited Warranty for KOHLER® Stainless Steel Sinks

See website for detailed warranty information.



### Technical Information

All product dimensions are nominal.

Bowl configuration:	Single
Min. base cabinet width:	27" (686 mm)
Bowl area:	Bowl depth: 9" (229 mm)
Number of deck holes:	1
Drain hole:	3-3/4" (94 mm)

### Notes

Install this product according to the installation instructions.

**NOTICE:** Countertop manufacturer or cutter must use the cut-out template provided with the product, or a current one provided by Kohler Co. (call 1-800-4-KOHLER). Kohler Co. is not responsible for cutout errors when the incorrect cut-out template is used.