



**Strive®**  
32" undermount single-bowl kitchen sink with  
accessories  
**K-5285**

### Features

- 36" minimum base cabinet width
- Single bowl
- 9" (229 mm) depth provides generous workspace
- Rear drain increases workspace in the sink and allows for more storage space underneath the sink
- Includes a sink bridge utility shelf with dishcloth bar and a bottom sink rack
- Includes installation hardware
- Rounded 10mm corners are easy to clean

### Material

- Handcrafted from 16-gauge stainless steel
- Premium 16-gauge stainless steel

### Installation

- Undermount

### Required Products/Accessories

K-8801 Sink drain and strainer with tailpiece

or

K-8799 Sink drain and strainer basket

or

K-11352 Disposal Flange with Stopper

### Recommended Products/Accessories

K-23726 Drain treatment

K-23729 Stainless steel cleaner

### Optional Products/Accessories

K-6667 Wood Cutting Board

### Included Components

K-6429 Utility Rack

K-6644 Sink rack for Vault™ and Strive® kitchen sinks

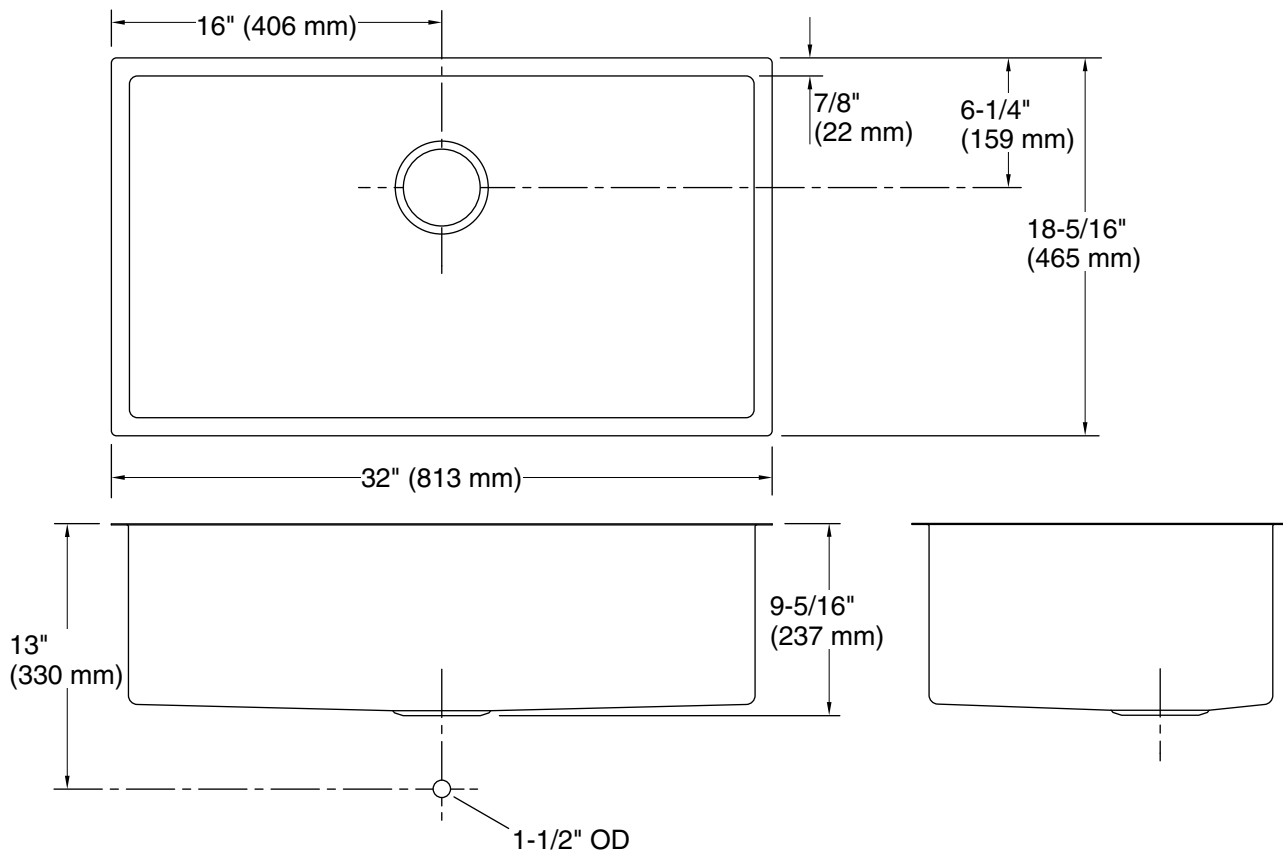


### Codes/Standards

ASME A112.19.3/CSA B45.4

### KOHLER® Stainless Steel Sinks Lifetime Limited Warranty

See website for detailed warranty information.



## Technical Information

All product dimensions are nominal.

Bowl configuration: Single

Min. base cabinet width: 36" (914 mm)

Bowl area: Length: 30-1/4" (768 mm)  
 Width: 16-9/16" (421 mm)  
 Bowl depth: 9" (229 mm)  
 Water depth: 9" (229 mm)

Drain hole: 3-3/4" (95 mm)

Template: 1207216-7, required, included

## Notes

Install this product according to the installation instructions.