

Features

- 27" (686 mm) minimum base cabinet width
- Single bowl
- 6" (152 mm) depth
- Rear drain placement increases cabinet storage space underneath sink
- Includes installation hardware
- Three faucet holes and one accessory hole to the right

Material

- Handcrafted from 18-gauge stainless steel
- Premium 18-gauge stainless steel

Installation

- For undermount installation, countertop thickness cannot be greater than 1" (25 mm) for ADA compliance
- Top-mount or undermount

Recommended Products/Accessories

- K-8801 Sink drain and strainer with tailpiece
- K-8799 Sink drain and strainer basket
- K-23726 Drain treatment
- K-23729 Stainless steel cleaner

Optional Products/Accessories

- 1177161 Installation Clip Kit
- K-11352 Disposal Flange with Stopper

Included Components

- 1130570 Hardware Kit, Self-Rimming



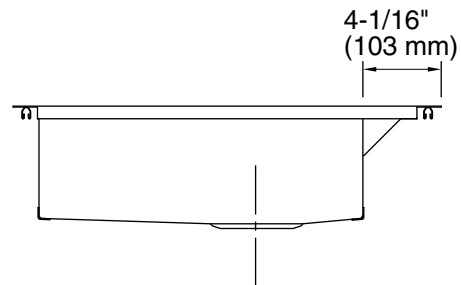
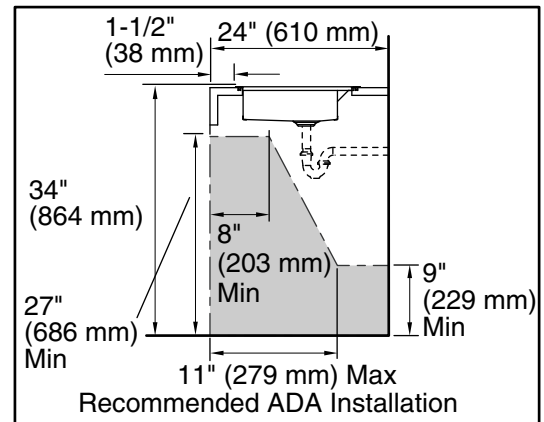
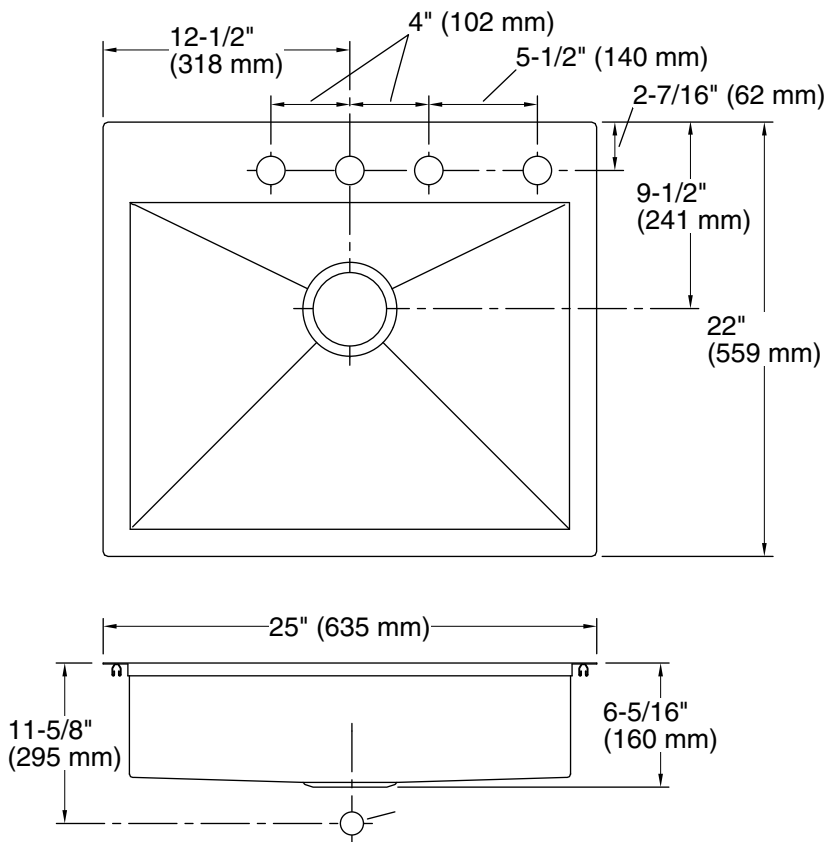
ADA

Codes/Standards

ASME A112.19.3/CSA B45.4
ADA
ICC/ANSI A117.1

KOHLER® One-Year Limited Warranty

See website for detailed warranty information.



Technical Information

All product dimensions are nominal.

Bowl configuration:	Single
Center(s):	4
Min. base cabinet width:	27" (686 mm)
Bowl area (Only):	Length: 22-1/4" (565 mm) Width: 16-9/16" (420 mm) Bowl depth: 6" (152 mm) Water depth: 6" (152 mm)
Number of deck holes:	4
Faucet hole spacing:	4" (102 mm)
Faucet hole(s):	1-7/16" (37 mm)
Soap/Lotion hole:	1-7/16" (37 mm)
Drain hole:	3-3/4" (94 mm)
Template:	1130822-7, required, included

Notes

Install this product according to the installation instructions.

Hardward Kit 1177161 needed for countertops with a 2-1/2" (64 mm) thickness or less.

For under-mount installation, counter top thickness can not be greater than 1" (25 mm) for ADA compliance.

ADA compliant when installed to the specific requirements of these regulations.