



45" top-/wall-mount single-bowl farmhouse workstation
kitchen sink
Farmstead®
K-21103-1HPPB

Features

- Single bowl
- 9" (229 mm) depth provides generous workspace
- Single faucet hole at deck center
- Integral apron and backsplash
- Painted Peachblow underside finish
- Includes walnut cutting board, multipurpose grated rack, utility rack, utility rack with soaking cup, left and right sink racks, and towel bar
- Sink drain with strainer sold separately

Material

- KOHLER® enameled cast iron
- Acid-resistant enamel finish

Installation

- Top-mount with custom cabinetry, or wall-mount with coordinating K-21104 or K-21105 legs (sold separately)

Recommended Products/Accessories

- K-8801 Sink drain and strainer with tailpiece
- K-8799 Sink drain and strainer basket

Optional Products/Accessories

- K-11352 Disposal Flange with Stopper

Included Components

- K-21108 Utility Rack
- K-21109 Utility Rack With Soaking Cup
- K-21110 Left--Side Sink Rack
- K-21111 Right-Side Sink Rack
- K-21112 Multipurpose Grated Rack
- K-21113 Walnut Cutting Board
- K-21114 Towel Bar



Codes/Standards

ASME A112.19.1/CSA B45.2

KOHLER® Enameled Cast Iron Kitchen and Bathroom Sink Lifetime Limited Warranty

See website for detailed warranty information.

Available Colors/Finishes

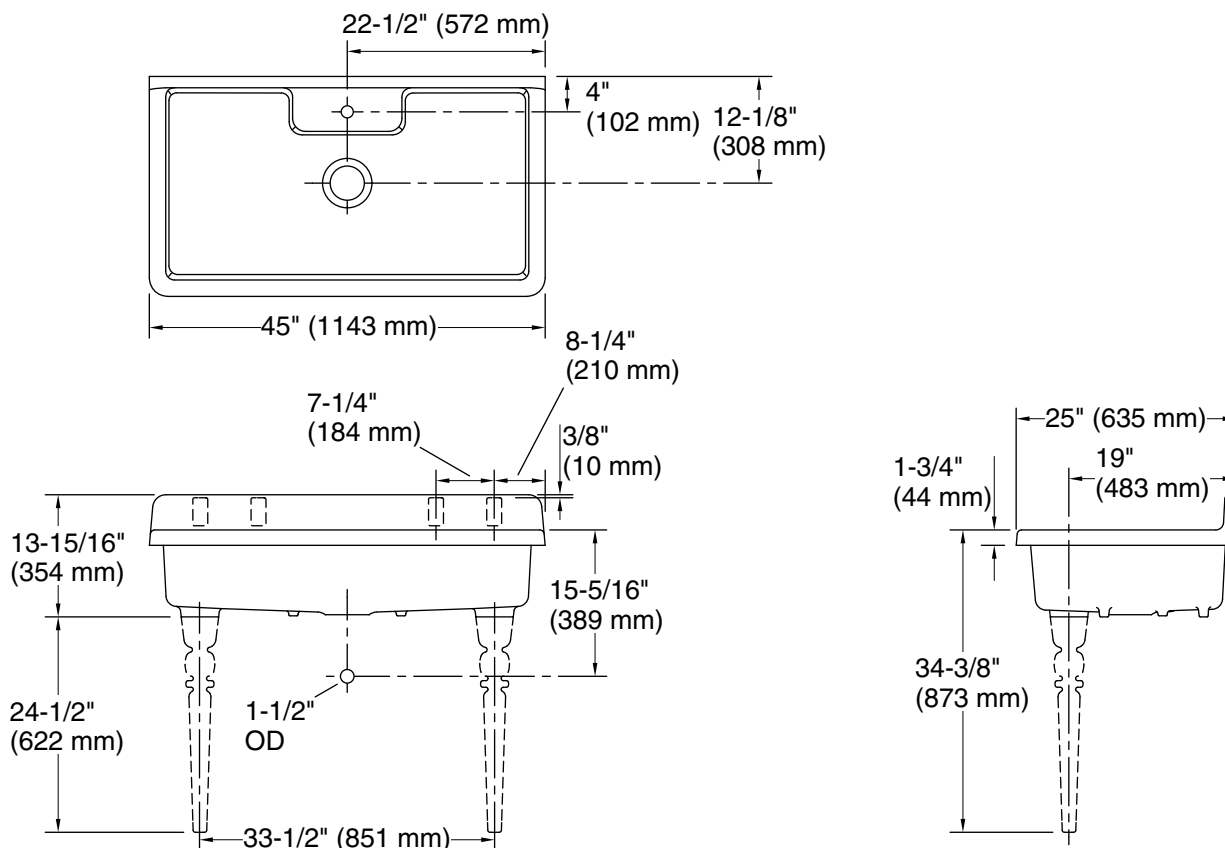
Color tiles intended for reference only.

Color	Code	Description
-------	------	-------------

	0	White
---	---	-------



Farmstead®
 45" top-/wall-mount single-bowl farmhouse workstation
 kitchen sink
K-21103-1HPPB



Technical Information

All product dimensions are nominal.

Min. base cabinet width: 48" (1219 mm)

Bowl area (Only): Length: 41-1/4" (1048 mm)
 Width: 21-5/8" (549 mm)
 Bowl depth: 9" (229 mm)
 Water depth: 9" (229 mm)

Drain hole: 3-7/8" (98 mm)

Template: 1327839-7, required, included

Notes

Install this product according to the installation instructions.

NOTICE: Countertop manufacturer or cutter must use the cut-out template provided with the product, or a current one provided by Kohler Co. (call 1-800-4-KOHLER). Kohler Co. is not responsible for cutout errors when the incorrect cut-out template is used.